



REER

Your future's safe!



EOS

type 4 and type 2 safety light curtains

product catalogue

Watch the video!



Aluminum casing
Powder-coated

-30 to +55° C
Operating temperature
Ideal also in cold storage facilities

Protected height
up to 2,2 meters

Caps
Glass reinforced
polypropylene

Zero-Dead-Zone
On one side of the curtain

Finger, Hand and Body detection
and Multibeam for access control
The most comprehensive range in
today's market

EOS

Safety Light Curtains and Grids



Compact size
Only 30 x 28 mm

IP65 and IP67

Status indicating display
Including alignment aids

Hardware configuration
No programming necessary
Easy to install and replace

M12 connectors
Cables easy to source and replace
No shielded cables needed

SAFETY LEVEL	SAFETY LEVEL
TYPE 4	TYPE 2
SIL 3 - SILCL 3 PL e - Cat. 4	SIL 1 - SILCL 1 PL c - Cat. 2

one simple product range to cover
most of today's industrial applications

Unique features and a comprehensive range

EOS is a compact light curtain range with competitive performance and innovative features.

Includes models with integrated safety functions, including self-monitoring of static outputs, control of external contactors (EDM) and selectable automatic/manual restart.

2 safety PNP static outputs.

Easy connection and installation thanks to the M12 connectors and the use of unshielded cables up to 100 m.

EOS4 ATEX, Safety light curtain for explosive atmosphere.

Ideal for access protection in environments with potentially explosive atmosphere.



Models in conformity with the "ATEX Directive" 2014/34/CE

- Classified Zone 2, 22
- Gas: II 3G Ex nA IIC T6 Gc
Dust: II 3D Ex tc IIIC T 60 °C Dc

See "EOS4 ATEX" on page 20.



Special versions

WTF and WTHF models (IP69K certified, Ecolab food-graded) for harsh working environments applications.

Watertight enclosures allow light curtains and light grids to be used in a harsh working environments with exposure to water and steam.

The use of inert and non-toxic components allow WTF and WTHF enclosures to be used in the Food & Beverage industry, where frequent washdown procedures are requested.

ECOLAB Material resistance test according to cleaning procedures for food and beverage industry.

See EOS4 WTF/WTHF on page 22 and EOS2 WTF/WTHF on page 31.



T Models (Textile)

Special models resistant to high vibrations for applications in the textile industry.

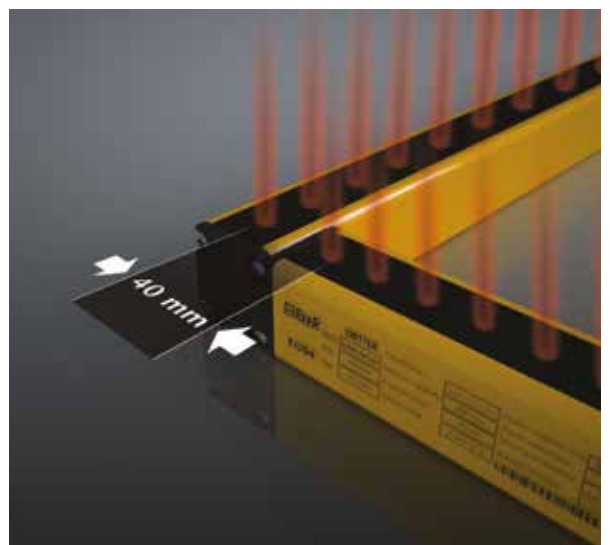
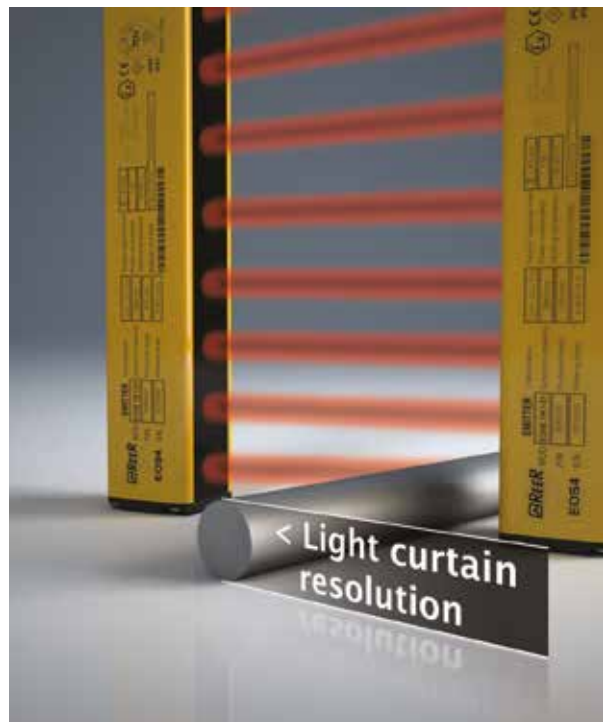
These models are able to maintain the alignment of the beams also the presence of strong mechanical stresses and vibrations.

Models available on request. Please contact Reer for more information.



MAIN FEATURES

- Minimal cross section: 28 x 30 mm
- Start-up time: ≤ 2 sec
- Master/Slave models for cascade connection of two or three curtains
- No blind area on one side
The position of first beam ensures that the sensitive area extends to end of the light curtain.
The protected area extends until the light curtain end, maintaining the resolution
- The solution with two L-mounted light curtains, e.g. Master/Slave, maintains a 40 mm resolution in corners (models with resolution up to 40 mm)



-30 ... +55 °C operating temperature for all models with operating range up to 12 m.

-20 ... +55 °C operating temperature for H models (operating range up to 20 m) and 14 mm resolution models.



IP65 and IP67 protection rate.

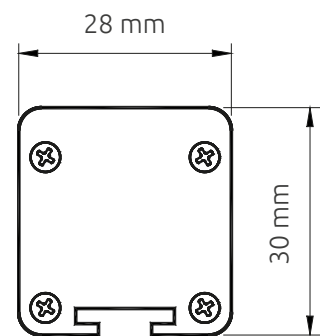


Special models resistant to vibration and shocks.

Contact ReeR for models availability.



IP69K watertight enclosure (WTF and WTHF), suitable for Food & Beverage industry. See "EOS4 WTF / WTHF" on page 22 and "EOS2 WTF / WTHF" on page 32.



Real dimensions

THE EOS RANGE

EOS4 - COMPACT TYPE 4 SAFETY LIGHT CURTAINS AND GRIDS

STANDARD		INTEGRATED FUNCTIONS		CASCADING FUNCTION
EOS4 A	EOS4 AH (high range)	EOS4 X	EOS4 XH (high range)	EOS4 XS - XM - XS2
Selectable operating range: 0 ... 4 m - low range 0 ... 12 m - high range 14 mm resolution models: 0 ... 3 m - low range 1 ... 6 m - high range	Selectable operating range: 0 ... 10 m - low range 3 ... 20 m - high range	Selectable operating range: 0 ... 4 m - low range 0 ... 12 m - high range 14 mm resolution models: 0 ... 3 m - low range 1 ... 6 m - high range	Selectable operating range: 0 ... 10 m - low range 3 ... 20 m - high range	Selectable operating range: 0 ... 4 m - low range 0 ... 12 m - high range 14 mm resolution models: 0 ... 3 m - low range 1 ... 6 m - high range
Automatic Start/Restart		Selectable manual or automatic Start/Restart		
-		-		Master and Slave models for series connection of 2 or 3 light curtains (regardless of height or resolution)
External relay monitoring (EDM) through external AD SR1, Mosaic or safety PLC interface		Integrated feedback input for external relay monitoring (EDM)		
Electrical connections: M12 5-pole connectors for emitter and receiver		Electrical connections: M12 5-pole connector for emitter M12 8-pole connector for receiver		
Protected height range: 14 and 20 mm resolution: 160 to 1950 mm. All other models: 160 to 2250 mm				
Types of detection: Finger detection: 14 mm resolution Hand detection: 20 - 30 - 40 mm resolution Body detection (in a dangerous area): 50 - 90 mm resolution Access control: 2 - 3 - 4 beams for body detection				

2 safety static outputs PNP with auto-test protected against short circuits and overloads

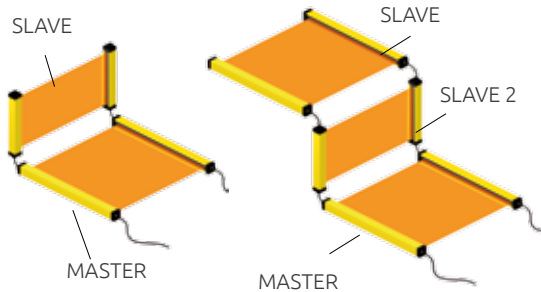
EOS2 - COMPACT TYPE 2 SAFETY LIGHT CURTAINS AND GRIDS

STANDARD		INTEGRATED FUNCTIONS		CASCADING FUNCTION
EOS2 A		EOS2 X		EOS4 XS - XM - XS2
Automatic Start/Restart		Selectable manual or automatic Start/Restart		
-		-		Master and Slave models for series connection of two or three light curtains regardless of height or resolution
External relay monitoring (EDM) through external AD SR1 interface, Mosaic or safety PLCs		Integrated feedback input for external relay monitoring (EDM)		
Electrical connections: M12 5-pole connectors for emitter and receiver		Electrical connections: M12 5-pole connector for emitter M12 8-pole for receiver		
Selectable operating range: 0 ... 4 m - low range 0 ... 12 m - high range				
Protected height range: 160 to 2250 mm				
Types of detection: Hand detection: 30 - 40 mm resolution Body detection (in a dangerous area): 50 - 90 mm resolution Access control: 2 - 3 - 4 beams for body detection				

2 safety static outputs PNP with auto-test protected against short circuits and overloads

CASCADING FUNCTION

MASTER/SLAVE MODELS WITH BUILT-IN CONTROL FUNCTIONS



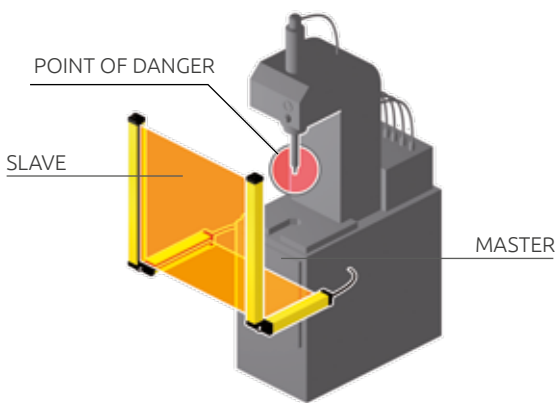
Master/Slave models allow series connection of up to three light curtains with the following major benefits:

- Combined detection (hand + presence of a person or protection of more sides of the machine)
- Single pair of safety outputs is used
- No interference between light curtains installed adjacent to one another

All electrical connections made using M12 5-pole connectors, except for Master receivers which require the use of M12 8-pole connectors.

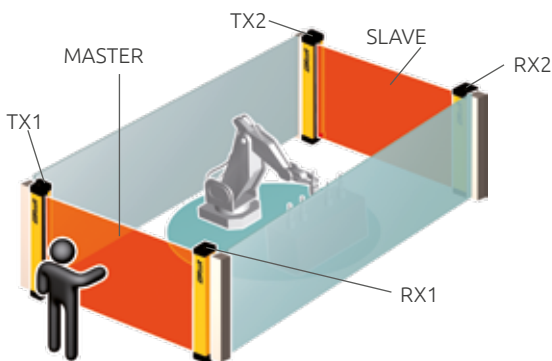
Pre-wired cables with twin connectors are available for the connection between Master and Slave.

APPLICATION EXAMPLES



The application shows a horizontal curtain used to prevent the operator from being undetected in the space between vertical light curtain and dangerous machine, upon system start-up or re-starting.

The master light curtain is placed horizontally for the detection of the standing person, while the slave light curtain is placed vertically to detect operator's fingers or hands.



Example of series connection of master and slave light curtains for protection of two sides of the machine.

Thus, two series connected curtains may be located one at the front of the machine and the other at the rear, with a single connection to the machine power and control circuitry.



Example of series connection of one master and two slave light curtains for the protection of three sides of the machine.

Benefit: unimpeded operator access to work area from front and sides.

APPROVALS

EOS4

- 2006/42/EC: "Machine Directive"
- 2014/30/EU: "Electromagnetic Compatibility Directive"
- 2014/35/EU: "Low Voltage Directive"
- EN 61496-1:2013 (Type 4) "Safety of machinery - Electro sensitive protective equipment - General requirements and tests"
- EN 61496-2:2013 (Type 4) "Safety of machinery - Electro-sensitive protective equipment - Particular requirements for equipment using active opto-electronic protective devices (AOPDs)"
- IEC 61508-1 (ed. 2) (SIL 3) "Functional safety of electrical/electronic programmable electronic safety related systems: General requirements"
- IEC 61508-2 (ed. 2) (SIL 3) "Functional safety of electrical/electronic/programmable electronic safety related systems: Requirements for electrical/electronic/programmable electronic safety-related systems"
- IEC 61508-3 (ed. 2) (SIL 3) "Functional safety of electrical/electronic programmable electronic safety related systems: Software requirements"
- IEC 61508-4 (ed. 2) (SIL 3) "Functional safety of electrical/electronic programmable electronic safety related systems: Definitions and abbreviations"
- IEC 62061:2005/A2:2015 (SILCL 3) "Safety of machinery - Functional safety of safety-related electrical, electronic and programmable electronic control systems"
- EN ISO 13849-1:2015 (Cat. 4, PL e) "Safety of machinery - Safety-related parts of control systems - Part 1: General principles for design"
- EN 50178:1997 "Electronic equipment for use in power installations"
- EN 55022:2006 "Information Technology Equipment - Radio Disturbance Characteristics - Limits and Methods of Measurement"
- UL (C+US) mark for USA and Canada
- ANSI / UL 1998: "Safety Software in Programmable Components"
- The S-Mark carries the same weight in Korea as the CE-Mark does in Europe
- The mark TS indicates that the product has been approved by the government of Taiwan

SAFETY LEVEL

TYPE 4

SIL 3 - SILCL 3
PL e - Cat. 4



EOS2

- 2006/42/EC: "Machine Directive"
- 2014/30/EU: "Electromagnetic Compatibility Directive"
- 2014/35/EU: "Low Voltage Directive"
- EN 61496-1:2013 (Type 2) "Safety of machinery - Electro sensitive protective equipment - General requirements and tests"
- EN 61496-2:2013 (Type 2) "Safety of machinery - Electro-sensitive protective equipment - Particular requirements for equipment using active opto-electronic protective devices (AOPDs)"
- IEC 61508-1 (ed. 2) (SIL 1) "Functional safety of electrical/electronic programmable electronic safety related systems: General requirements"
- IEC 61508-2 (ed. 2) (SIL 1) "Functional safety of electrical/electronic/programmable electronic safety related systems: Requirements for electrical/electronic/programmable electronic safety-related systems"
- IEC 61508-3 (ed. 2) (SIL 1) "Functional safety of electrical/electronic programmable electronic safety related systems: Software requirements"
- IEC 61508-4 (ed. 2) (SIL 1) "Functional safety of electrical/electronic programmable electronic safety related systems: Definitions and abbreviations"
- IEC 62061:2005/A2:2015 (SILCL1) "Safety of machinery - Functional safety of safety-related electrical, electronic and programmable electronic control systems"
- EN ISO 13849-1:2015 (Cat. 2, PL c) "Safety of machinery - Safety-related parts of control systems - Part 1: General principles for design"
- EN 50178:1997 "Electronic equipment for use in power installations"
- EN 55022:2006 "Information Technology Equipment - Radio Disturbance Characteristics - Limits and Methods of Measurement"
- UL (C+US) mark for USA and Canada
- ANSI / UL 1998: "Safety Software in Programmable Components"
- The mark TS indicates that the product has been approved by the government of Taiwan

SAFETY LEVEL

TYPE 2

SIL 1 - SILCL 1
PL c - Cat. 2



Safety parameters for Type 2 light curtains

With the publication of Edition 3 of the harmonized EN 61496-1 standard it is no longer possible to use a Type 2 safety light curtains for safety functions assessed as SIL 2 / PL d.

If a safety level of SIL 2 / PL d (or higher) is required and it is nevertheless intended to use a safety light curtain, then it will be necessary to use a Type 4 safety light curtain. This regulatory requirement derives from the fact that the reduction of risk that can be obtained via a photoelectric safety light curtain is not only a function of the safety level of its electronic parts, but is also determined by its systematic capabilities (for example: environmental influences, EMC, optical performance and detection principle).

The systematic capability of a Type 2 photoelectric light curtain may in fact not be sufficient to ensure adequate risk reduction for SIL 2 / PL d applications. The standard also establishes that the labelling of Type 2 safety light curtains must indicate such limitation to SIL 1 / PL c. The PFH_d values declared for the electronic control part of the device, on the other hand, are not limited and therefore it is possible to use the PFH_d value provided by the manufacturer of the device in the Global assessment of the safety function, even if it exceeds the SIL 1 / PL c range.

EOS4 A - AH

WITH AUTOMATIC START/RESTART



Resolution (mm)	Start/Restart
14, 20, 30, 40, 50, 90	Automatic
Access control	Safety outputs
2, 3, 4 beams	2



All connections and configurations through M12 connectors. Unshielded cables up to 100 meters long can be used to connect the light curtain.

Protected heights: 160 mm ... 2260 mm.

TECHNICAL FEATURES

Max. range (m)	Selectable 3 or 6 for 14 mm resolution models Selectable 4 or 12 for all other models Selectable 10 or 20 for H models
Response time (ms)	2,5 ... 20
Safety outputs	2 PNP - 400 mA at 24 VDC with short-circuit, overload, polarity reversal protection
Status display	LEDs for light curtain's status and diagnostic
Power supply (VDC)	24 ± 20%
Fastening	Via back slot with provided standard brackets or to the top and lower end with optional rotating brackets. See Accessories

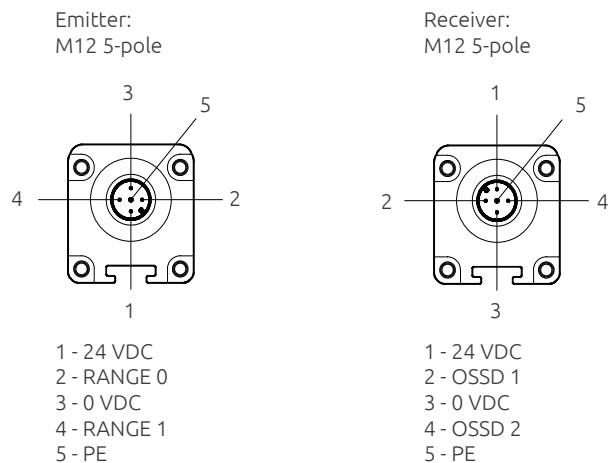
CABLES NEEDED

- Emitter: M12 5-pole.
See [page 40](#) (CDX, CDx SB, CD 9X, CDM 9)
- Receiver: M12 5-pole.
See [page 40](#) (CDX, CDx SB, CD 9X, CDM 9)

ACCESSORIES

- Start/Restart interlock and EDM.
See [AD SR1 on page 37](#)
- Muting interface. See [AD SRM on page 38](#)
- Support columns. See [page 45](#)
- Deflecting mirrors. See [page 49](#)
- Laser alignment device. See [LAD 4 on page 52](#)
- Vibration dumpers. See [page 54](#)
- Brackets. See [page 50](#)

CONNECTORS



PART NUMBERS

Finger resolution A Models - Max. range: selectable 3 or 6 m



Resolution 14 mm	EOS4 151 A	EOS4 301 A	EOS4 451 A	EOS4 601 A	EOS4 751 A	EOS4 901 A	EOS4 1051 A	EOS4 1201 A	EOS4 1351 A	EOS4 1501 A	EOS4 1651 A	EOS4 1801 A	EOS4 1951 A
Ordering codes	1310000	1310001	1310002	1310003	1310004	1310005	1310006	1310007	1310008	1310009	1310070	1310071	1310711
Protected height (mm)	160	310	460	610	760	910	1060	1210	1360	1510	1660	1810	1960
Nr. of beams	15	30	45	60	75	90	105	120	135	150	165	180	195
Overall height (mm)	213	363	513	663	813	963	1113	1263	1413	1563	1713	1863	2013

Hand resolution A Models - Max. range: selectable 4 or 12 m
AH Models - Max. range: selectable 10 or 20 m



Resolution 20 mm	EOS4 152 AH	EOS4 302 AH	EOS4 452 AH	EOS4 602 AH	EOS4 752 AH	EOS4 902 AH	EOS4 1052 AH	EOS4 1202 AH	EOS4 1352 AH	EOS4 1502 AH	EOS4 1652 AH	EOS4 1802 AH	EOS4 1952 AH
Ordering codes	1310150	1310151	1310152	1310153	1310154	1310155	1310156	1310157	1310158	1310159	1310180	1310181	1310715
Protected height (mm)	160	310	460	610	760	910	1060	1210	1360	1510	1660	1810	1960
Nr. of beams	15	30	45	60	75	90	105	120	135	150	165	180	195
Overall height (mm)	213	363	513	663	813	963	1113	1263	1413	1563	1713	1863	2013



Resolution 30 mm	EOS4 153 A	EOS4 253 A	EOS4 303 A	EOS4 453 A	EOS4 603 A	EOS4 753 A	EOS4 903 A	EOS4 1053 A	EOS4 1203 A	EOS4 1353 A	EOS4 1503 A	EOS4 1653 A	EOS4 1803 A	EOS4 1953 A	EOS4 2103 A	EOS4 2253 A
Ordering codes	1310200	1311205	1310201	1310202	1310203	1310204	1310205	1310206	1310207	1310208	1310209	1310270	1310271	1310719	1310720	1310721
Resolution 30 mm	EOS4 153 AH	-	EOS4 303 AH	EOS4 453 AH	EOS4 603 AH	EOS4 753 AH	EOS4 903 AH	EOS4 1053 AH	EOS4 1203 AH	EOS4 1353 AH	EOS4 1503 AH	EOS4 1653 AH	EOS4 1803 AH	EOS4 1953 AH	EOS4 2103 AH	EOS4 2253 AH
Ordering codes	1310250	-	1310251	1310252	1310253	1310254	1310255	1310256	1310257	1310258	1310259	1310280	1310281	1310736	1310737	1310738
Protected height (mm)	160	260	310	460	610	760	910	1060	1210	1360	1510	1660	1810	1960	2110	2260
Nr. of beams	8	13	16	23	31	38	46	53	61	68	76	83	91	98	106	113
Overall height (mm)	213	313	363	513	663	813	963	1113	1263	1413	1563	1713	1863	2013	2163	2313



Resolution 40 mm	EOS4 154 A	EOS4 254 A	EOS4 304 A	EOS4 454 A	EOS4 604 A	EOS4 754 A	EOS4 904 A	EOS4 1054 A	EOS4 1204 A	EOS4 1354 A	EOS4 1504 A	EOS4 1654 A	EOS4 1804 A	EOS4 1954 A	EOS4 2104 A	EOS4 2254 A
Ordering codes	1310300	1311202	1310301	1310302	1310303	1310304	1310305	1310306	1310307	1310308	1310309	1310370	1310371	1310723	1310724	1310725
Resolution 40 mm	EOS4 154 AH	-	EOS4 304 AH	EOS4 454 AH	EOS4 604 AH	EOS4 754 AH	EOS4 904 AH	EOS4 1054 AH	EOS4 1204 AH	EOS4 1354 AH	EOS4 1504 AH	EOS4 1654 AH	EOS4 1804 AH	EOS4 1954 AH	EOS4 2104 AH	EOS4 2254 AH
Ordering codes	1310350	-	1310351	1310352	1310353	1310354	1310355	1310356	1310357	1310358	1310359	1310380	1310381	1310754	1310755	1310756
Protected height (mm)	160	260	310	460	610	760	910	1060	1210	1360	1510	1660	1810	1960	2110	2260
Nr. of beams	6	9	11	16	21	26	31	36	41	46	51	56	61	66	71	76
Overall height (mm)	213	313	363	513	663	813	963	1113	1263	1413	1563	1713	1863	2013	2163	2313

EOS4 A - AH

WITH AUTOMATIC START/RESTART

Body resolution A Models - Max. range: selectable 4 or 12 m
 AH Models - Max. range: selectable 10 or 20 m



Resolution 50 mm	EOS4 155 A	EOS4 305 A	EOS4 455 A	EOS4 605 A	EOS4 755 A	EOS4 905 A	EOS4 1055 A	EOS4 1205 A	EOS4 1355 A	EOS4 1505 A	EOS4 1655 A	EOS4 1805 A	EOS4 1955 A	EOS4 2105 A	EOS4 2255 A
Ordering codes	1310400	1310401	1310402	1310403	1310404	1310405	1310406	1310407	1310408	1310409	1310470	1310471	1310769	1310770	1310771
Resolution 50 mm	EOS4 155 AH	EOS4 305 AH	EOS4 455 AH	EOS4 605 AH	EOS4 755 AH	EOS4 905 AH	EOS4 1055 AH	EOS4 1205 AH	EOS4 1355 AH	EOS4 1505 AH	EOS4 1655 AH	EOS4 1805 AH	EOS4 1955 AH	EOS4 2105 AH	EOS4 2255 AH
Ordering codes	1310450	1310451	1310452	1310453	1310454	1310455	1310456	1310457	1310458	1310459	1310480	1310481	1310775	1310776	1310777
Protected height (mm)	160	310	460	610	760	910	1060	1210	1360	1510	1660	1810	1960	2110	2260
Nr. of beams	4	8	12	16	20	24	28	32	36	40	44	48	52	56	60
Overall height (mm)	213	363	513	663	813	963	1113	1263	1413	1563	1713	1863	2013	2163	2313



Resolution 90 mm	-	EOS4 309 A	EOS4 459 A	EOS4 609 A	EOS4 759 A	EOS4 909 A	EOS4 1059 A	EOS4 1209 A	EOS4 1359 A	EOS4 1509 A	EOS4 1659 A	EOS4 1809 A	EOS4 1959 A	EOS4 2109 A	EOS4 2259 A
Ordering codes		1310501	1310502	1310503	1310504	1310505	1310506	1310507	1310508	1310509	1310570	1310571	1310790	1310791	1310792
Resolution 90 mm	-	EOS4 309 AH	EOS4 459 AH	EOS4 609 AH	EOS4 759 AH	EOS4 909 AH	EOS4 1059 AH	EOS4 1209 AH	EOS4 1359 AH	EOS4 1509 AH	EOS4 1659 AH	EOS4 1809 AH	EOS4 1959 AH	EOS4 2109 AH	EOS4 2259 AH
Ordering codes		1310551	1310552	1310553	1310554	1310555	1310556	1310557	1310558	1310559	1310580	1310581	1310795	1310796	1310797
Protected height (mm)		310	460	610	760	910	1060	1210	1360	1510	1660	1810	1960	2110	2260
Nr. of beams		4	6	8	10	12	14	16	18	20	22	24	26	28	30
Overall height (mm)		363	513	663	813	963	1113	1263	1413	1563	1713	1863	2013	2163	2313

Access control A Models - Max. range: selectable 4 or 12 m
 AH Models - Max. range: selectable 10 or 20 m



2, 3, 4 beams	EOS4 2B A	EOS4 3B A	EOS4 4B A
Ordering codes	1310600	1310601	1310602
2, 3, 4 beams	EOS4 2B AH	EOS4 3B AH	EOS4 4B AH
Ordering codes	1310650	1310651	1310652
Nr. of beams	2	3	4
Beam spacing (mm)	500	400	300
Protected height (mm)	510	810	910
Overall height (mm)	653	953	1053

WITH BUILT-IN CONTROL FUNCTIONS



Resolution (mm)	Start/Restart
14, 20, 30, 40, 50, 90	Manual or Automatic
Access control	Safety outputs
2, 3, 4 beams	2



Selectable manual/automatic Start/Restart.

Integrated feedback input, with selectable enabling, for external relays monitoring (EDM).

All connections and setting adjustments through M12 connectors. Unshielded cables up to 100 meters long can be used to connect the light curtain.

Protected heights: 160 mm ... 2260 mm.



TECHNICAL FEATURES

Max. range (m)	Selectable 3 or 6 for 14 mm resolution models Selectable 4 or 12 for all other models Selectable 10 or 20 for H models
Response time (ms)	2,5 ... 20
Safety outputs	2 PNP - 400 mA at 24 VDC with short-circuit, overload, polarity reversal protection
Status display	LEDs for light curtain's status and diagnostic
Power supply (VDC)	24 ± 20%
Fastening	Via back slot with provided standard brackets or to the top and lower end with optional rotating brackets. See Accessories

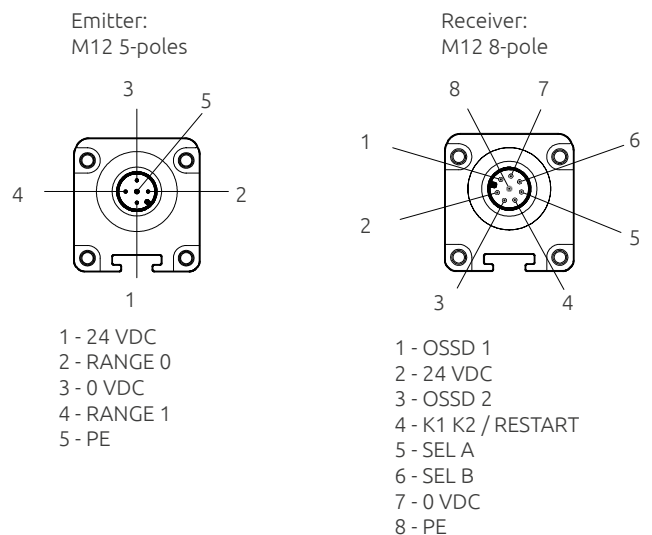
CABLES NEEDED

- Emitter: M12 5-pole.
See [page 40](#) (CDx CDxSB, CD 9x, CDM 9, CDM99)
- Receiver: M12 8-pole.
See [page 43](#) (C8D x, C8S X SB, C8D 9x, C8DM 9, C8DM 11)

ACCESSORIES

- Safety relay. See [AD SR0 - AD SR0A on page 39](#)
- Support columns. See [page 45](#)
- Deflecting mirrors. See [page 49](#)
- Laser alignment device. See [LAD 4 on page 52](#)
- Vibration dumpers. See [page 54](#)
- Brackets. See [page 50](#)

CONNECTORS



EOS4 X - XH

WITH BUILT-IN CONTROL FUNCTIONS

PART NUMBERS

Finger resolution X Models - Max. range: selectable 3 or 6 m



Resolution 14 mm	EOS4 151 X	EOS4 301 X	EOS4 451 X	EOS4 601 X	EOS4 751 X	EOS4 901 X	EOS4 1051 X	EOS4 1201 X	EOS4 1351 X	EOS4 1501 X	EOS4 1651 X	EOS4 1801 X	EOS4 1951 X
Ordering codes	1310010	1310011	1310012	1310013	1310014	1310015	1310016	1310017	1310018	1310019	1310072	1310073	1310712
Protected height (mm)	160	310	460	610	760	910	1060	1210	1360	1510	1660	1810	1960
Nr. of beams	15	30	45	60	75	90	105	120	135	150	165	180	195
Overall height (mm)	213	363	513	663	813	963	1113	1263	1413	1563	1713	1863	2013

Hand resolution X Models - Max. range: selectable 4 or 12 m
XH Models - Max. range: selectable 10 or 20 m



Resolution 20 mm	EOS4 152 XH	EOS4 302 XH	EOS4 452 XH	EOS4 602 XH	EOS4 752 XH	EOS4 902 XH	EOS4 1052 XH	EOS4 1202 XH	EOS4 1352 XH	EOS4 1502 XH	EOS4 1652 XH	EOS4 1802 XH	EOS4 1952 XH
Ordering codes	1310160	1310161	1310162	1310163	1310164	1310165	1310166	1310167	1310168	1310169	1310182	1310183	1310716
Protected height (mm)	160	310	460	610	760	910	1060	1210	1360	1510	1660	1810	1960
Nr. of beams	15	30	45	60	75	90	105	120	135	150	165	180	195
Overall height (mm)	213	363	513	663	813	963	1113	1263	1413	1563	1713	1863	2013



Resolution 30 mm	EOS4 153 X	EOS4 253 X	EOS4 303 X	EOS4 453 X	EOS4 603 X	EOS4 753 X	EOS4 903 X	EOS4 1053 X	EOS4 1203 X	EOS4 1353 X	EOS4 1503 X	EOS4 1653 X	EOS4 1803 X	EOS4 1953 X	EOS4 2103 X	EOS4 2253 X
Ordering codes	1310210	1311200	1310211	1310212	1310213	1310214	1310215	1310216	1310217	1310218	1310219	1310272	1310273	1310733	1310734	1310735
Resolution 30 mm	EOS4 153 XH	-	EOS4 303 XH	EOS4 453 XH	EOS4 603 XH	EOS4 753 XH	EOS4 903 XH	EOS4 1053 XH	EOS4 1203 XH	EOS4 1353 XH	EOS4 1503 XH	EOS4 1653 XH	EOS4 1803 XH	EOS4 1953 XH	EOS4 2103 XH	EOS4 2253 XH
Ordering codes	1310260	-	1310261	1310262	1310263	1310264	1310265	1310266	1310267	1310268	1310269	1310282	1310283	1310739	1310740	1310741
Protected height (mm)	160	260	310	460	610	760	910	1060	1210	1360	1510	1660	1810	1960	2110	2260
Nr. of beams	8	13	16	23	31	38	46	53	61	68	76	83	91	98	106	113
Overall height (mm)	213	313	363	513	663	813	963	1113	1263	1413	1563	1713	1863	2013	2163	2313



Resolution 40 mm	EOS4 154 X	EOS4 254 X	EOS4 304 X	EOS4 454 X	EOS4 604 X	EOS4 754 X	EOS4 904 X	EOS4 1054 X	EOS4 1204 X	EOS4 1354 X	EOS4 1504 X	EOS4 1654 X	EOS4 1804 X	EOS4 1954 X	EOS4 2104 X	EOS4 2254 X
Ordering codes	1310310	1311209	1310311	1310312	1310313	1310314	1310315	1310316	1310317	1310318	1310319	1310372	1310373	1310751	1310752	1310753
Resolution 40 mm	EOS4 154 XH	-	EOS4 304 XH	EOS4 454 XH	EOS4 604 XH	EOS4 754 XH	EOS4 904 XH	EOS4 1054 XH	EOS4 1204 XH	EOS4 1354 XH	EOS4 1504 XH	EOS4 1654 XH	EOS4 1803 XH	EOS4 1954 XH	EOS4 2104 XH	EOS4 2254 XH
Ordering codes	1310360	-	1310361	1310362	1310363	1310364	1310365	1310366	1310367	1310368	1310369	1310382	1310383	1310757	1310758	1310759
Protected height (mm)	160	260	310	460	610	760	910	1060	1210	1360	1510	1660	1810	1960	2110	2260
Nr. of beams	6	9	11	16	21	26	31	36	41	46	51	56	61	66	71	76
Overall height (mm)	213	313	363	513	663	813	963	1113	1263	1413	1563	1713	1863	2013	2163	2313

WITH BUILT-IN CONTROL FUNCTIONS

Body resolution X Models - Max. range: selectable 4 or 12 m
XH Models - Max. range: selectable 10 or 20 m



Resolution 50 mm	EOS4 155 X	EOS4 305 X	EOS4 455 X	EOS4 605 X	EOS4 755 X	EOS4 905 X	EOS4 1055 X	EOS4 1205 X	EOS4 1355 X	EOS4 1505 X	EOS4 1655 X	EOS4 1805 X	EOS4 1955 X	EOS4 2105 X	EOS4 2255 X
Ordering codes	1310410	1310411	1310412	1310413	1310414	1310415	1310416	1310417	1310418	1310419	1310472	1310473	1310772	1310773	1310774
Resolution 50 mm	EOS4 155 XH	EOS4 305 XH	EOS4 455 XH	EOS4 605 XH	EOS4 755 XH	EOS4 905 XH	EOS4 1055 XH	EOS4 1205 XH	EOS4 1355 XH	EOS4 1505 XH	EOS4 1655 XH	EOS4 1805 XH	EOS4 1955 XH	EOS4 2105 XH	EOS4 2255 XH
Ordering codes	1310460	1310461	1310462	1310463	1310464	1310465	1310466	1310467	1310468	1310469	1310482	1310483	1310778	1310779	1310780
Protected height (mm)	160	310	460	610	760	910	1060	1210	1360	1510	1660	1810	1960	2110	2260
Nr. of beams	4	8	12	16	20	24	28	32	36	40	44	48	52	56	60
Overall height (mm)	213	363	513	663	813	963	1113	1263	1413	1563	1713	1863	2013	2163	2313



Resolution 90 mm	-	EOS4 309 X	EOS4 459 X	EOS4 609 X	EOS4 759 X	EOS4 909 X	EOS4 1059 X	EOS4 1209 X	EOS4 1359 X	EOS4 1509 X	EOS4 1659 X	EOS4 1809 X	EOS4 1959 X	EOS4 2109 X	EOS4 2259 X
Ordering codes		1310511	1310512	1310513	1310514	1310515	1310516	1310517	1310518	1310519	1310572	1310573	1310793	1310707	1310794
Resolution 90 mm	-	EOS4 309 XH	EOS4 459 XH	EOS4 609 XH	EOS4 759 XH	EOS4 909 XH	EOS4 1059 XH	EOS4 1209 XH	EOS4 1359 XH	EOS4 1509 XH	EOS4 1659 XH	EOS4 1809 XH	EOS4 1959 XH	EOS4 2109 XH	EOS4 2259 XH
Ordering codes		1310561	1310562	1310563	1310564	1310565	1310566	1310567	1310568	1310569	1310582	1310583	1310798	1310799	1310800
Protected height (mm)		310	460	610	760	910	1060	1210	1360	1510	1660	1810	1960	2110	2260
Nr. of beams		4	6	8	10	12	14	16	18	20	22	24	26	28	30
Overall height (mm)		363	513	663	813	963	1113	1263	1413	1563	1713	1863	2013	2163	2313

Access control X Models - Max. range: selectable 4 or 12 m
XH Models - Max. range: selectable 10 or 20 m



2, 3, 4 beams	EOS4 2B X	EOS4 3B X	EOS4 4B X
Ordering codes	1310610	1310611	1310612
2, 3, 4 beams	EOS4 2B XH	EOS4 3B XH	EOS4 4B XH
Ordering codes	1310660	1310661	1310662
Nr. of beams	2	3	4
Beam spacing (mm)	500	400	300
Protected height (mm)	510	810	910
Overall height (mm)	653	953	1053



Resolution (mm)	Start/Restart
14, 30, 40, 50, 90	Manual or Automatic
Access control	Safety outputs
2, 3, 4 beams	2



Master, Slave and Slave 2 models allow series connection of up to three light curtains.

Selectable manual/automatic Start/Restart.

Integrated feedback input, with selectable enabling, for external relays monitoring (EDM).

All connections and setting adjustments through M12 connectors. Unshielded cables up to 100 meters long can be used to connect the light curtain (50 m between Master and Slave with M12 5-pole for emitter and receiver).

Protected heights: 160 mm ... 2260 mm.

TECHNICAL FEATURES

Max. range (m)	Selectable 3 or 6 for 14 mm resolution models Selectable 4 or 12 for all other models
Response time (ms) Master + 1 Slave	14 mm resolution models: $t_{tot} = [0,06 * (N_{slave} + N_{master}) + 0,9636] * 2$ all other models: $t_{tot} = [0,11 * (N_{slave} + N_{master}) + 0,9376] * 2$
Response time (ms) Master + 2 Slave	14 mm resolution models: $t_{tot} = [0,06 * (N_{slave1} + N_{slave2} + N_{master}) + 1,0036] * 2$ all other models: $t_{tot} = [0,11 * (N_{slave1} + N_{slave2} + N_{master}) + 1,0508] * 2$
Safety outputs	2 PNP - 400 mA at 24 VDC with short-circuit, overload, polarity reversal protection
Status display	LEDs for light curtain's status and diagnostic
Power supply (VDC)	24 ± 20%
Fastening	Via back slot with provided standard brackets or to the top and lower end with optional rotating brackets. See Accessories

CABLES NEEDED

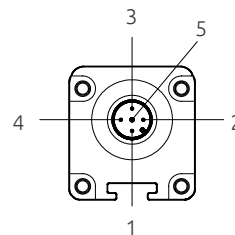
- Emitter: M12 5-pole.
See page 40 (CDx CDxSB, CD 9x, CDM 9, CDM99)
- Receiver: M12 8-pole.
See page 43 (C8D x, C8S X SB, C8D 9x, C8DM 9, C8DM 11)
- Between Master and Slave: M12 5-pole.
See page 42 (CDS 03, CJBE x)

ACCESSORIES

- Vibration dumpers. See page 54
- Brackets. See page 50

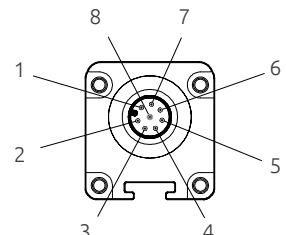
CONNECTORS

Master secondary connector
Slave1 and Slave 2:
M12 5-poles



- 1 - 24 VDC
- 2 - RANGE 0
- 3 - 0 VDC
- 4 - RANGE 1
- 5 - PE

Master Receiver:
M12 8-pole




- 1 - OSSD 1
- 2 - 24 VDC
- 3 - OSSD 2
- 4 - K1 K2 / RESTART
- 5 - SEL A
- 6 - SEL B
- 7 - 0 VDC
- 8 - PE




MASTER/SLAVE MODELS WITH BUILT-IN CONTROL FUNCTIONS

PART NUMBERS

Finger resolution XM, XS, XS2 Models - Max. range: selectable 3 or 6 m

	MASTER		EOS4	EOS4	EOS4	EOS4	EOS4	EOS4	EOS4	EOS4	EOS4	EOS4	EOS4	EOS4	EOS4
Resolution 14 mm	-	-	301 XM	451 XM	601 XM	751 XM	901 XM	1051 XM	1201 XM	1351 XM	1501 XM	1651 XM	1801 XM	1951 XM	
Ordering codes			1310021	1310022	1310023	1310024	1310025	1310026	1310027	1310028	1310029	1310074	1310075	1310713	
SLAVE	EOS4		EOS4	EOS4	EOS4	EOS4	EOS4	EOS4	EOS4	EOS4	EOS4	EOS4	EOS4	EOS4	EOS4
Resolution 14 mm	151 XS	-	301 XS	451 XS	601 XS	751 XS	901 XS	1051 XS	1201 XS	1351 XS	1501 XS	1651 XS	1801 XS	1951 XS	
Ordering codes	1310030		1310031	1310032	1310033	1310034	1310035	1310036	1310037	1310038	1310039	1310076	1310076	1310729	
SLAVE 2			EOS4	EOS4	EOS4	EOS4	EOS4	EOS4	EOS4	EOS4	EOS4	EOS4	EOS4	EOS4	EOS4
Resolution 14 mm	-	-	301 XS2	451 XS2	601 XS2	751 XS2	901 XS2	1051 XS2	1201 XS2	1351 XS2	1501 XS2	1651 XS2	1801 XS2	1951 XS2	
Ordering codes			1310041	1310042	1310043	1310044	1310045	1310046	1310047	1310048	1310049	1310078	1310079	1310730	
Protected height (mm)	160		310	460	610	760	910	1060	1210	1360	1510	1660	1810	1960	
Nr. of beams	15		30	45	60	75	90	105	120	135	150	165	180	195	
Overall height (mm) Master / Slave 2 *	236.5		386.5	536.5	686.5	836.5	986.5	1136.5	1286.5	1436.5	1586.5	1736.5	1886.5	2036,5	


Hand resolution XM, XS, XS2 Models - Max. range: selectable 4 or 12 m

	MASTER		EOS4	EOS4	EOS4	EOS4	EOS4	EOS4	EOS4	EOS4	EOS4	EOS4	EOS4	EOS4	EOS4	EOS4	
Resolution 30 mm	-		253 XM	303 XM	453 XM	603 XM	753 XM	903 XM	1053 XM	1203 XM	1353 XM	1503 XM	1653 XM	1803 XM	1953 XM	2103 XM	2253 XM
Ordering codes			1311206	1310221	1310222	1310223	1310224	1310225	1310226	1310227	1310228	1310229	1310274	1310275	1310742	1310743	1310744
SLAVE	EOS4		EOS4	EOS4	EOS4	EOS4	EOS4	EOS4	EOS4	EOS4	EOS4	EOS4	EOS4	EOS4	EOS4	EOS4	EOS4
Resolution 30 mm	153 XS		253 XS	303 XS	453 XS	603 XS	753 XS	903 XS	1053 XS	1203 XS	1353 XS	1503 XS	1653 XS	1803 XS	1953 XS	2103 XS	2253 XS
Ordering codes	1310230		1311207	1310231	1310232	1310233	1310234	1310235	1310236	1310237	1310238	1310239	1310276	1310277	1310745	1310746	1310747
SLAVE 2			EOS4	EOS4	EOS4	EOS4	EOS4	EOS4	EOS4	EOS4	EOS4	EOS4	EOS4	EOS4	EOS4	EOS4	EOS4
Resolution 30 mm	-		253 XM2	303 XS2	453 XS2	603 XS2	753 XS2	903 XS2	1053 XS2	1203 XS2	1353 XS2	1503 XS2	1653 XS2	1803 XS2	1953 XS2	2103 XS2	2253 XS2
Ordering codes			1311208	1310241	1310242	1310243	1310244	1310245	1310246	1310247	1310248	1310249	1310278	1310279	1310748	1310749	1310750
Protected height (mm)	160		260	310	460	610	760	910	1060	1210	1360	1510	1660	1810	1960	2110	2260
Nr. of beams	8		13	16	23	31	38	46	53	61	68	76	83	91	98	106	113
Overall height (mm) Master / Slave 2 *	236.5		336.5	386.5	536.5	686.5	836.5	986.5	1136.5	1286.5	1436.5	1586.5	1736.5	1886.5	2036,5	2186,5	2336,5


EOS4 XM / XS / XS2

MASTER/SLAVE MODELS WITH BUILT-IN CONTROL FUNCTIONS

Hand resolution XM, XS, XS2 Models - Max. range: selectable 4 or 12 m


		EOS4	EOS4	EOS4	EOS4	EOS4	EOS4	EOS4	EOS4	EOS4	EOS4	EOS4	EOS4	EOS4	EOS4	EOS4	
 MASTER Resolution 40 mm		254	304	454	604	754	904	104	1204	1354	1504	1654	1804	1954	2104	2254	
		XM	XM	XM	XM	XM	XM	XM	XM	XM	XM	XM	XM	XM	XM	XM	
Ordering codes		1311210	1310321	1310322	1310323	1310324	1310325	1310326	1310327	1310328	1310329	1310374	1310375	1310760	1310761	1310762	
SLAVE Resolution 40 mm	EOS4	154 XS	254 XS	304 XS	454 XS	604 XS	754 XS	904 XS	1054	1204	1354	1504	1654	1804	1954	2104	2254
		XS	XS	XS	XS	XS	XS	XS	XS	XS	XS	XS	XS	XS	XS	XS	XS
Ordering codes		1310330	1311211	1310331	1310332	1310333	1310334	1310335	1310336	1310337	1310338	1310339	1310376	1310377	1310763	1310764	1310765
SLAVE 2 Resolution 40 mm	EOS4	-	254	304	454	604	754	904	1054	1204	1354	1504	1654	1804	1954	2104	2254
		XM2	XS2	XS2	XS2	XS2	XS2	XS2	XS2	XS2	XS2	XS2	XS2	XS2	XS2	XS2	XS2
Ordering codes		1311212	1310341	1310342	1310343	1310344	1310345	1310346	1310347	1310348	1310349	1310378	1310379	1310766	1310767	1310768	
Protected height (mm)		160	260	310	460	610	760	910	1060	1210	1360	1510	1660	1810	1960	2110	2260
Nr. of beams		6	9	11	16	21	26	31	36	41	46	51	56	61	66	71	76
Overall height (mm) Master / Slave 2 *		236.5	336.5	386.5	536.5	686.5	836.5	986.5	1136.5	1286.5	1436.5	1586.5	1736.5	1886.5	2036,5	2186,5	2336,5

Body resolution XM, XS, XS2 Models - Max. range: selectable 4 or 12 m


		EOS4	EOS4	EOS4	EOS4	EOS4	EOS4	EOS4	EOS4	EOS4	EOS4	EOS4	EOS4	EOS4	EOS4	EOS4
 MASTER Resolution 50 mm		305	455	605	755	905	105	1205	1355	1505	1655	1805	1955	2105	2255	
		XM	XM	XM	XM	XM	XM	XM	XM	XM	XM	XM	XM	XM	XM	XM
Ordering codes		1310421	1310422	1310423	1310424	1310425	1310426	1310427	1310428	1310429	1310474	1310475	1310781	1310782	1310783	
SLAVE Resolution 50 mm	EOS4	155 XS	305 XS	455 XS	605 XS	755 XS	905 XS	1055	1205	1355	1505	1655	1805	1955	2105	2255
		XS	XS	XS	XS	XS	XS	XS	XS	XS	XS	XS	XS	XS	XS	XS
Ordering codes		1310430	1310431	1310432	1310433	1310434	1310435	1310436	1310437	1310438	1310439	1310476	1310477	1310784	1310785	1310786
SLAVE 2 Resolution 50 mm	EOS4	-	305	455	605	755	905	1055	1205	1355	1505	1655	1805	1955	2105	2255
		XS2	XS2	XS2	XS2	XS2	XS2	XS2	XS2	XS2	XS2	XS2	XS2	XS2	XS2	XS2
Ordering codes		1310441	1310442	1310443	1310444	1310445	1310446	1310447	1310448	1310449	1310478	1310479	1310787	1310788	1310789	
Protected height (mm)		160	310	460	610	760	910	1060	1210	1360	1510	1660	1810	1960	2110	2260
Nr. of beams		4	8	12	16	20	24	28	32	36	40	44	48	52	56	60
Overall height (mm) Master / Slave 2 *		236.5	386.5	536.5	686.5	836.5	986.5	1136.5	1286.5	1436.5	1586.5	1736.5	1886.5	2036.5	2186.5	2336.5

MASTER/SLAVE MODELS WITH BUILT-IN CONTROL FUNCTIONS

Body resolution XM, XS, XS2 Models - Max. range: selectable 4 or 12 m

 MASTER Resolution 90 mm	EOS4	EOS4	EOS4	EOS4	EOS4	EOS4	EOS4	EOS4	EOS4	EOS4	EOS4	EOS4	EOS4	EOS4
	309 XM	459 XM	609 XM	759 XM	909 XM	1059 XM	1209 XM	1359 XM	1509 XM	1659 XM	1809 XM	1959 XM	2109 XM	2259 XM
Ordering codes	1310521	1310522	1310523	1310524	1310525	1310526	1310527	1310528	1310529	1310574	1310575	1310801	1310802	1310803
SLAVE Resolution 90 mm	EOS4	EOS4	EOS4	EOS4	EOS4	EOS4	EOS4	EOS4	EOS4	EOS4	EOS4	EOS4	EOS4	EOS4
	309 XS	459 XS	609 XS	759 XS	909 XS	1059 XS	1209 XS	1359 XS	1509 XS	1659 XS	1809 XS	1959 XS	2109 XS	2109 XS
Ordering codes	1310531	1310532	1310533	1310534	1310535	1310536	1310537	1310538	1310539	1310576	1310577	1310804	1310805	1310806
SLAVE 2 Resolution 90 mm	EOS4	EOS4	EOS4	EOS4	EOS4	EOS4	EOS4	EOS4	EOS4	EOS4	EOS4	EOS4	EOS4	EOS4
	309 XS2	459 XS2	609 XS2	759 XS2	909 XS2	1059 XS2	1209 XS2	1359 XS2	1509 XS2	1659 XS2	1809 XS2	1959 XS2	2109 XS2	2109 XS2
Ordering codes	1310541	1310542	1310543	1310544	1310545	1310546	1310547	1310548	1310549	1310578	1310579	1310807	1310808	1310809
Protected height (mm)	310	460	610	760	910	1060	1210	1360	1510	1660	1810	1960	2110	2260
Nr. of beams	4	6	8	10	12	14	16	18	20	22	24	52	56	60
Overall height (mm) Master / Slave 2*	386.5	536.5	686.5	836.5	986.5	1136.5	1286.5	1436.5	1586.5	1736.5	1886.5	2036.5	2186.5	2336.5

Access control XM, XS, XS2 Models - Max. range: selectable 4 or 12 m

 MASTER 2, 3, 4 beams	EOS4	EOS4	EOS4
	2B XM	3B XM	4B XM
Ordering codes	1310620	1310621	1310622
SLAVE 2, 3, 4 beams	EOS4	EOS4	EOS4
	2B XS	3B XS	4B XS
Ordering codes	1310630	1310631	1310632
SLAVE 2 2, 3, 4 beams	EOS4	EOS4	EOS4
	2B XS2	3B XS2	4B XS2
Ordering codes	1310640	1310641	1310642
Nr. of beams	2	3	4
Beam spacing (mm)	500	400	300
Protected height (mm)	510	810	910
Overall height (mm) Master / Slave 2*	677	977	1077

* On Slave models, the overall height of the light curtain is the same of the standard model.

On Master and Slave 2, the total height of the light curtain is 24 mm greater due to the addition of the secondary connector.

EOS4 ATEX

ATEX ZONE 2, 22



Resolution (mm)	Start/Restart
30	Automatic
Access control	Safety outputs
2, 3, 4 beams	2

SAFETY LEVEL

TYPE 4

SIL 3 - SILCL 3
PL e - Cat. 4

EOS4 AH version with ATEX protective housing. Designed to secure operators working in potentially explosive atmospheres.



TECHNICAL FEATURES

Technical features for the light curtain	EOS4 AH
Degree of protection	IP65
ATEX degree of protection (2014/34/EU)	Gas: II 3G Ex nA IIC T6 Gc Dust: II 3D Ex tc IIIC T 60°C Dc
Operating temperature (°C)	-10 ... +55
Transparent slit material	Polycarbonate tube Ø 50 mm
Protective tube material	Yellow painted aluminum RAL1003
Sealing caps material	Stainless steel (AISI 316L) - Ø 56 mm / Silicone O-RING
Fastenings brackets material	Stainless steel (AISI 316L)



Integrated anti-condensation system through the GORE™ vent

APPLICATIONS

Paint systems, industries for the processing and packaging of farinaceous, chemical industries, industries for the processing of oil and derivatives.



Paint systems applications

PART NUMBERS

Hand resolution Models AH EX - Max. range: 17 m



Resolution 30 mm	EOS4 603 AH EX	EOS4 903 AH EX	EOS4 1203 AH EX	EOS4 1503 AH EX
Ordering codes	1010253	1010255	1010257	1010259
Protected height (mm)	610	910	1210	1510
Nr. of beams	31	46	61	76
Overall height (mm)	780	1080	1380	1680

Access control Models AH EX - Max. range: 17 m



2, 3, 4 beams	EOS4 2B AH EX	EOS4 3B AH EX	EOS4 4B AH EX
Ordering codes	1010650	1010651	1010652
Nr. of beams	2	3	4
Beam spacing (mm)	500	400	300
Protected height (mm)	510	810	910
Overall height (mm)	780	1080	1180

The safety light curtain/grid is delivered already enclosed into its watertight tube with a 10m long prewired cable and the related fastening brackets.

EOS4 WTF / WTHF

WATERTIGHT ENCLOSURE, FOOD-GRADED, IP69K CERTIFIED

TECHNICAL FEATURES

Technical features for the light curtain	EOS4 X (14 mm resolution) EOS4 XH
Operating temperature (°C)	WTF: 0 ... +55 WTHF: -25 ... +50 (with heating system)
Max. water pressure jets	80 ... 100 bar at 80° C (± 5° C)
Max. range (m)	Selectable 2 or 5 for 14 mm resolution models Selectable 8 or 17 for H models
Electrical connections	10-meter cable pre-wired with cable gland
WTHF heated power consumption	24 VDC - 20 W x Protected height (m)
Fastening	Fastening brackets included



The small EOS WTF and WTHF cylindrical enclosure (only 56 mm diameter) is IP69K protection-rate tested and can withstand up to 80 bar of water jets pressure at the temperature of +80 °C.

Enclosure incorporates a valve to drain humidity and to avoid condensation.



Material resistance test according to cleaning procedures for food and beverage industry.

Test procedure: Ecolab-test F&E Nr. 40-1

- Dipping test - Complete immersion in solution/liquid, Test Period: 28 days
- Rinsing with water +40, +50 °C - Rinsing with low pressure. Rinsing from top to bottom in the direction of the drains
- Cleaning of the drains
- Foaming from bottom to top - Alkaline: P3-topax 66 - Acid: P3-topax 56 - Temperature: cold up to +40 °C - Contact time: 15 min. recommended
- Rinsing with water +40, +50 °C - Rinsing from top to bottom with low pressure
- Disinfection - P3-topactive DES 1-3% 10-30 min



HEATED VERSION AVAILABLE

Resolution (mm)
14, 30

Start/Restart
Manual or Automatic

Access control
2, 3, 4 beams

Safety outputs
2

SAFETY LEVEL

TYPE 4

SIL 3 - SILCL 3
PL e - Cat. 4

Watertight enclosures allow light curtains and light grids to be used in a harsh working environments with exposure to water and steam.

The use of inert and non-toxic components allow WTF and WTHF enclosures to be used in the Food & Beverage industry, where frequent washdown procedures are requested.

WTHF versions (heated) have a thermostatically controlled heating system and can work down to -25 °C.

Protected height: 160 ... 1810 mm.

WATERTIGHT ENCLOSURE, FOOD-GRADED, IP69K CERTIFIED



WATERTIGHT ENCLOSURE

The watertight enclosure is made of:

- PMMA (polymethyl methacrylate) transparent enclosure
- POM-C (acetal resin – DELRIN®) sealing caps
- Anti-condensation system trough integrated GORE™ valve
- POM-C and stainless steel fastening brackets (AISI 316L)

APPLICATIONS

- Washing systems
- Food and beverage industry applications
- Any system that requires a washdown procedure or constantly exposed to high pressure water and steam

PART NUMBERS

Finger resolution Model X - Max. range: 5m

Resolution 14 mm	EOS4	EOS4	EOS4	EOS4	EOS4	EOS4	EOS4	EOS4	EOS4	EOS4	EOS4	EOS4
	151 X WTF	301 X WTF	451 X WTF	601 X WTF	751 X WTF	901 X WTF	1051 X WTF	1201 X WTF	1351 X WTF	1501 X WTF	1651 X WTF	1801 X WTF
Ordering codes	1110030	1110031	1110032	1110033	1110034	1110035	1110036	1110037	1110038	1110039	1110051	1110052
Resolution 14 mm	EOS4	EOS4	EOS4	EOS4	EOS4	EOS4	EOS4	EOS4	EOS4	EOS4	EOS4	EOS4
	151 X WTHF	301 X WTHF	451 X WTHF	601 X WTHF	751 X WTHF	901 X WTHF	1051 X WTHF	1201 X WTHF	1351 X WTHF	1501 X WTHF	1651 X WTHF	1801 X WTHF
Ordering codes	1110040	1110041	1110042	1110043	1110044	1110045	1110046	1110047	1110048	1110049	1110055	1110056
Protected height (mm)	160	310	460	610	760	910	1060	1210	1360	1510	1660	1810
Nr. of beams	15	30	45	60	75	90	105	120	135	150	165	180
Overall height (mm)	337	487	637	787	937	1087	1237	1387	1537	1687	1837	1987

Hand resolution Model XH - Max. range: 17 m

Resolution 30 mm	EOS4	EOS4	EOS4	EOS4	EOS4	EOS4	EOS4	EOS4	EOS4	EOS4	EOS4	EOS4
	153 XH WTF	303 XH WTF	453 XH WTF	603 XH WTF	753 XH WTF	903 XH WTF	1053 XH WTF	1203 XH WTF	1353 XH WTF	1503 XH WTF	1653 XH WTF	1803 XH WTF
Ordering codes	1110280	1110281	1110282	1110283	1110284	1110285	1110286	1110287	1110288	1110289	1110053	1110054
Resolution 30 mm	EOS4	EOS4	EOS4	EOS4	EOS4	EOS4	EOS4	EOS4	EOS4	EOS4	EOS4	EOS4
	153 XH WTHF	303 XH WTHF	453 XH WTHF	603 XH WTHF	753 XH WTHF	903 XH WTHF	1053 XH WTHF	1203 XH WTHF	1353 XH WTHF	1503 XH WTHF	1653 XH WTHF	1803 XH WTHF
Ordering codes	1110290	1110291	1110292	1110293	1110294	1110295	1110296	1110297	1110298	1110299	1110057	1110058
Protected height (mm)	160	310	460	610	760	910	1060	1210	1360	1510	1660	1810
Nr. of beams	8	16	23	31	38	46	53	61	68	76	83	91
Overall height (mm)	337	487	637	787	937	1087	1237	1387	1537	1687	1837	1987

Access control Model XH - Max. range: 17 m

2, 3, 4 beams	EOS4	EOS4	EOS4	EOS4	EOS4	EOS4
	2B XH WTF	3B XH WTF	4B XH WTF	2B XH WTHF	3B XH WTHF	4B XH WTHF
Ordering codes	1110670	1110671	1110672	1110675	1110676	1110677
Nr. of beams	2	3	4	2	3	4
Beam spacing (mm)	500	400	300	500	400	300
Protected height (mm)	510	810	910	510	810	910
Overall height (mm)	777	1077	1177	777	1077	1177

NOTE: versions with different resolution and protected height can be manufactured upon request. Please enquire within.



Resolution (mm)	Start/Restart
30, 40, 50, 90	Automatic
Access control	Safety outputs
2, 3, 4 beams	2



All connections and configurations through M12 connectors. Unshielded cables up to 100 meters long can be used to connect the light curtain.

Protected heights: 160 mm ... 2260 mm.

TECHNICAL FEATURES

Max. range (m)	Selectable 4 or 12
Response time (ms)	2,5 ... 18,5
Safety outputs	2 PNP - 400 mA at 24 VDC with short-circuit, overload, polarity reversal protection
Status display	LEDs for light curtain's status and diagnostic
Power supply (VDC)	24 ± 20%
Fastening	Via back slot with provided standard brackets or to the top and lower end with optional rotating brackets. See Accessories

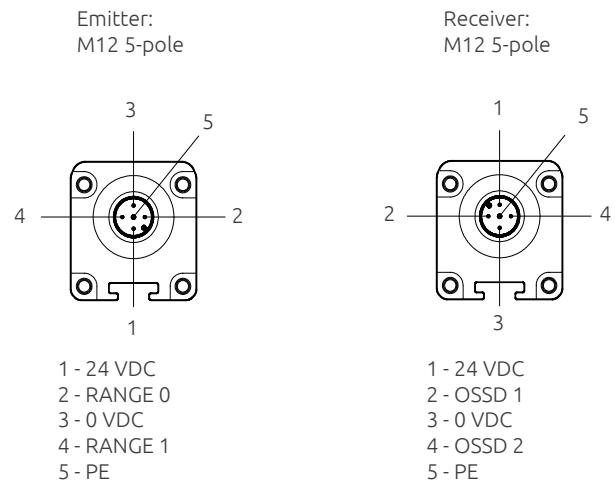
CABLES NEEDED

- Emitter: M12 5-pole. See [page 40](#) (CDX, CDx SB, CD 9X, CDM 9)
- Receiver: M12 5-pole. See [page 40](#) (CDX, CDx SB, CD 9X, CDM 9)

ACCESSORIES

- Start/Restart interlock and EDM interface. See [AD SR1 on page 37](#)
- Support columns. See [page 45](#)
- Deflecting mirrors. See [page 49](#)
- Laser alignment device. See [LAD 4 on page 52](#)
- Vibration dumpers. See [page 54](#)
- Brackets. See [page 50](#)

CONNECTORS



PART NUMBERS

Hand resolution Model A - Max. range: 12 m



Resolution 30 mm	EOS2 153 A	EOS2 253 A	EOS2 303 A	EOS2 453 A	EOS2 603 A	EOS2 753 A	EOS2 903 A	EOS2 1053 A	EOS2 1203 A	EOS2 1353 A	EOS2 1503 A	EOS2 1653 A	EOS2 1803 A	EOS2 1953 A	EOS2 2103 A	EOS2 2253 A
Ordering codes	1320200	1321205	1320201	1320202	1320203	1320204	1320205	1320206	1320207	1320208	1320209	1320270	1320271	1320719	1320720	1320721
Protected height (mm)	160	260	310	460	610	760	910	1060	1210	1360	1510	1660	1810	1960	2110	2260
Nr. of beams	8	13	16	23	31	38	46	53	61	68	76	83	91	98	106	113
Overall height (mm)	213	313	363	513	663	813	963	1113	1263	1413	1563	1713	1863	2013	2163	2313



Resolution 40 mm	EOS2 154 A	EOS2 254 A	EOS2 304 A	EOS2 454 A	EOS2 604 A	EOS2 754 A	EOS2 904 A	EOS2 1054 A	EOS2 1204 A	EOS2 1354 A	EOS2 1504 A	EOS2 1654 A	EOS2 1804 A	EOS2 1954 A	EOS2 2104 A	EOS2 2254 A
Ordering codes	1320300	1321202	1320301	1320302	1320303	1320304	1320305	1320306	1320307	1320308	1320309	1320370	1320371	1320723	1320724	1320725
Protected height (mm)	160	260	310	460	610	760	910	1060	1210	1360	1510	1660	1810	1960	2110	2260
Nr. of beams	6	9	11	16	21	26	31	36	41	46	51	56	61	66	71	76
Overall height (mm)	213	313	363	513	663	813	963	1113	1263	1413	1563	1713	1863	2013	2163	2313

Body resolution Model A - Max. range: 12 m



Resolution 50 mm	EOS2 155 A	-	EOS2 305 A	EOS2 455 A	EOS2 605 A	EOS2 755 A	EOS2 905 A	EOS2 1055 A	EOS2 1205 A	EOS2 1355 A	EOS2 1505 A	EOS2 1655 A	EOS2 1805 A	EOS2 1955 A	EOS2 2105 A	EOS2 2255 A
Ordering codes	1320400		1320401	1320402	1320403	1320404	1320405	1320406	1320407	1320408	1320409	1320470	1320471	1320769	1320770	1320771
Protected height (mm)	160		310	460	610	760	910	1060	1210	1360	1510	1660	1810	1960	2110	2260
Nr. of beams	4		8	12	16	20	24	28	32	36	40	44	48	52	56	60
Overall height (mm)	213		363	513	663	813	963	1113	1263	1413	1563	1713	1863	2013	2163	2313



Resolution 90 mm	-	-	EOS2 309 A	EOS2 459 A	EOS2 609 A	EOS2 759 A	EOS2 909 A	EOS2 1059 A	EOS2 1209 A	EOS2 1359 A	EOS2 1509 A	EOS2 1659 A	EOS2 1809 A	EOS2 1959 A	EOS2 2109 A	EOS2 2259 A
Ordering codes			1320501	1320502	1320503	1320504	1320505	1320506	1320507	1320508	1320509	1320570	1320571	1320790	1320791	1320792
Protected height (mm)			310	460	610	760	910	1060	1210	1360	1510	1660	1810	1960	2110	2260
Nr. of beams			4	6	8	10	12	14	16	18	20	22	24	26	28	30
Overall height (mm)			363	513	663	813	963	1113	1263	1413	1563	1713	1863	2013	2163	2313

Access control Model A - Max. range: 12 m



2, 3, 4 beams	EOS2 2B A	EOS2 3B A	EOS2 4B A
Ordering codes	1320600	1320601	1320602
Nr. of beams	2	3	4
Beam spacing (mm)	500	400	300
Protected height (mm)	510	810	910
Overall height (mm)	653	953	1053



Resolution (mm)	Start/Restart
30, 40, 50, 90	Manual or Automatic
Access control	Safety outputs
2, 3, 4 beams	2



Selectable manual/automatic Start/Restart.

Integrated input, with selectable enabling, for external relays monitoring (EDM).

All connections and setting adjustments through M12 connectors. Unshielded cables up to 100 meters long can be used to connect the light curtain.

Protected heights: 160 mm ... 2260 mm.

TECHNICAL FEATURES

Max. range (m)	Selectable 4 or 12
Response time (ms)	2,5 ... 18,5
Safety outputs	2 PNP - 400 mA at 24 VDC with short-circuit, overload, polarity reversal protection
Status display	LEDs for light curtain's status and diagnostic
Power supply (VDC)	24 ± 20%
Fastening	Via back slot with provided standard brackets or to the top and lower end with optional rotating brackets. See Accessories

CABLES NEEDED

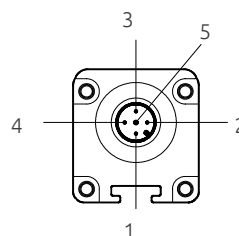
- Emitter: M12 5-pole.
See [page 40](#) (CDx CDxSB, CD 9x, CDM 9, CDM99)
- Receiver: M12 8-pole.
See [page 43](#) (C8D x, C8S X SB, C8D 9x, C8DM 9, C8DM 11)

ACCESSORIES

- Safety relay. See [AD SR0 - AD SR0A](#) on [page 39](#)
- Support columns. See [page 45](#)
- Deflecting mirrors. See [page 49](#)
- Laser alignment device. See [page 52](#)
- Vibration dumpers. See [page 54](#)
- Brackets. See [page 50](#)

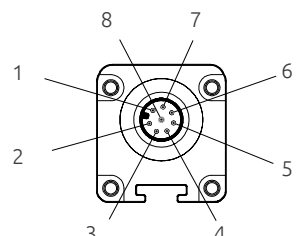
CONNECTORS

Emitter:
M12 5-pole



- 1 - 24 VDC
- 2 - RANGE 0
- 3 - 0 VDC
- 4 - RANGE 1
- 5 - PE

Receiver:
M12 8-pole



- 1 - OSSD 1
- 2 - 24 VDC
- 3 - OSSD 2
- 4 - K1 K2 / RESTART
- 5 - SEL A
- 6 - SEL B
- 7 - 0 VDC
- 8 - PE



PART NUMBERS

Hand resolution Model X - Max. range: 12 m



Resolution 30 mm	EOS2 153 X	EOS2 253 X	EOS2 303 X	EOS2 453 X	EOS2 603 X	EOS2 753 X	EOS2 903 X	EOS2 1053 X	EOS2 1203 X	EOS2 1353 X	EOS2 1503 X	EOS2 1653 X	EOS2 1803 X	EOS2 1953 X	EOS2 2103 X	EOS2 2253 X
Ordering codes	1320210	1321200	1320211	1320212	1320213	1320214	1320215	1320216	1320217	1320218	1320219	1320272	1320273	1320733	1320734	1320735
Protected height (mm)	160	260	310	460	610	760	910	1060	1210	1360	1510	1660	1810	1960	2110	2260
Nr. of beams	8	13	16	23	31	38	46	53	61	68	76	83	91	98	106	113
Overall height (mm)	213	313	363	513	663	813	963	1113	1263	1413	1563	1713	1863	2013	2163	2313



Resolution 40 mm	EOS2 154 X	EOS2 254 X	EOS2 304 X	EOS2 454 X	EOS2 604 X	EOS2 754 X	EOS2 904 X	EOS2 1054 X	EOS2 1204 X	EOS2 1354 X	EOS2 1504 X	EOS2 1654 X	EOS2 1804 X	EOS2 1954 X	EOS2 2104 X	EOS2 2254 X
Ordering codes	1320310	1321209	1320311	1320312	1320313	1320314	1320315	1320316	1320317	1320318	1320319	1320372	1320373	1320751	1320752	1320753
Protected height (mm)	160	260	310	460	610	760	910	1060	1210	1360	1510	1660	1810	1960	2110	2260
Nr. of beams	6	8	11	16	21	26	31	36	41	46	51	56	61	66	71	76
Overall height (mm)	213	313	363	513	663	813	963	1113	1263	1413	1563	1713	1863	2013	2163	2313

Body resolution Model X - Max. range: 12 m



Resolution 50 mm	EOS2 155 X	-	EOS2 305 X	EOS2 455 X	EOS2 605 X	EOS2 755 X	EOS2 905 X	EOS2 1055 X	EOS2 1205 X	EOS2 1355 X	EOS2 1505 X	EOS2 1655 X	EOS2 1805 X	EOS2 1955 X	EOS2 2105 X	EOS2 2255 X
Ordering codes	1320410		1320411	1320412	1320413	1320414	1320415	1320416	1320417	1320418	1320419	1320472	1320473	1320772	1320773	1320774
Protected height (mm)	160		310	460	610	760	910	1060	1210	1360	1510	1660	1810	1960	2110	2260
Nr. of beams	4		8	12	16	20	24	28	32	36	40	44	48	52	56	60
Overall height (mm)	213		363	513	663	813	963	1113	1263	1413	1563	1713	1863	2013	2163	2313



Resolution 90 mm	-	-	EOS2 309 X	EOS2 459 X	EOS2 609 X	EOS2 759 X	EOS2 909 X	EOS2 1059 X	EOS2 1209 X	EOS2 1359 X	EOS2 1509 X	EOS2 1659 X	EOS2 1809 X	EOS2 1959 X	EOS2 2109 X	EOS2 2259 X
Ordering codes			1320511	1320512	1320513	1320514	1320515	1320516	1320517	1320518	1320519	1320572	1320573	1320793	1320707	1320794
Protected height (mm)			310	460	610	760	910	1060	1210	1360	1510	1660	1810	1960	2110	2260
Nr. of beams			4	6	8	10	12	14	16	18	20	22	24	26	28	30
Overall height (mm)			363	513	663	813	963	1113	1263	1413	1563	1713	1863	2013	2163	2313

Access control Model X - Max. range: 12 m



2, 3, 4 beams	EOS2 2B X	EOS2 3B X	EOS2 4B X
Ordering codes	1320610	1320611	1320612
Nr. of beams	2	3	4
Beam spacing (mm)	500	400	300
Protected height (mm)	510	810	910
Overall height (mm)	653	953	1053

EOS2 XM / XS / XS2

MASTER/SLAVE MODELS WITH BUILT-IN CONTROL FUNCTIONS



Resolution (mm)	Start/Restart
30, 40, 50, 90	Manual or Automatic
Access control	Safety outputs
2, 3, 4 beams	2

SAFETY LEVEL

TYPE 2

SIL 1 - SILCL 1
PL c - Cat. 2

Master, Slave and Slave 2 models allow series connection of up to three light curtains.

Selectable manual/automatic Start/Restart.

Integrated feedback input, with selectable enabling, for external relays monitoring (EDM).

All connections and setting adjustments through M12 connectors. Unshielded cables up to 100 meters long can be used to connect the light curtain (50 m between Master and Slave with M12 5-pole for emitter and receiver).

Electrical connections between Master and Slave with M12 5-pole for emitter and receiver.

Protected heights: 160 mm ... 2260 mm.

TECHNICAL FEATURES

Max. range (m)	Selectable 4 or 12 for standard models
Response time (ms) Master + 1 Slave	$t_{tot} = [0,1104 * (N_{rslave} + N_{rmaster}) + 1,1044] * 2$
Response time (ms) Master + 2 Slave	$t_{tot} = [0,1104 * (N_{rslave1} + N_{rslave2} + N_{rmaster}) + 1,3228] * 2$
Safety outputs	2 PNP - 400 mA at 24 VDC with short-circuit, overload, polarity reversal protection
Status display	LEDs for light curtain's status and diagnostic
Power supply (VDC)	24 ± 20%
Fastening	Via back slot with provided standard brackets or to the top and lower end with optional rotating brackets. See Accessories

CABLES NEEDED

- Emitter: M12 5-pole.
See [page 40](#) (CDx CDxSB, CD 9x, CDM 9, CDM99)
- Receiver: M12 8-pole.
See [page 43](#) (C8D x, C8S X SB, C8D 9x, C8DM 9, C8DM 11)
- Between Master and Slave: M12 5-pole.
See [page 42](#) (CDS 03, CJBE x)

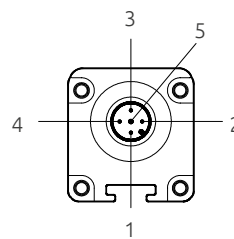
ACCESSORIES

- Vibration dumpers. See [page 54](#)
- Brackets. See [page 50](#)

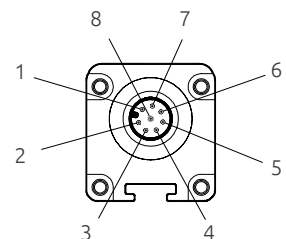
CONNECTORS

Master secondary connector, Slave1 and Slave 2
M12 5-poles

Master Receiver
M12 8-pole



- 1 - 24 VDC
- 2 - RANGE 0
- 3 - 0 VDC
- 4 - RANGE 1
- 5 - PE




- 1 - OSSD 1
- 2 - 24 VDC
- 3 - OSSD 2
- 4 - K1 K2 / RESTART
- 5 - SEL A
- 6 - SEL B
- 7 - 0 VDC
- 8 - PE




MASTER/SLAVE MODELS WITH BUILT-IN CONTROL FUNCTIONS


PART NUMBERS

Hand resolution Model XM, XS, XS2 - Max. range: 12 m

 MASTER Resolution 30 mm	-	EOS 2 253 XM	EOS2 303 XM	EOS2 453 XM	EOS2 603 XM	EOS2 753 XM	EOS2 903 XM	EOS2 1053 XM	EOS2 1203 XM	EOS2 1353 XM	EOS2 1503 XM	EOS2 1653 XM	EOS2 1803 XM	EOS2 1953 XM	EOS2 2103 XM	EOS2 2253 XM
Ordering codes		1321206	1320221	1320222	1320223	1320224	1320225	1320226	1320227	1320228	1320229	1320274	1320275	1320742	1320743	1320744
SLAVE Resolution 30 mm	EOS2 153 XS	EOS 2 253 XS	EOS2 303 XS	EOS2 453 XS	EOS2 603 XS	EOS2 753 XS	EOS2 903 XS	EOS2 1053 XS	EOS2 1203 XS	EOS2 1353 XS	EOS2 1503 XS	EOS2 1653 XS	EOS2 1803 XS	EOS2 1953 XS	EOS2 2103 XS	EOS2 2253 XS
Ordering codes	1320230	1321207	1320231	1320232	1320233	1320234	1320235	1320236	1320237	1320237	1320239	1320276	1320277	1320745	1320746	1320747
SLAVE 2 Resolution 30 mm	-	EOS 2 253 XM2	EOS2 303 XS2	EOS2 453 XS2	EOS2 603 XS2	EOS2 753 XS2	EOS2 903 XS2	EOS2 1053 XS2	EOS2 1203 XS2	EOS2 1353 XS2	EOS2 1503 XS2	EOS2 1653 XS2	EOS2 1803 XS2	EOS2 1953 XS2	EOS2 2103 XS2	EOS2 2253 XS2
Ordering codes		1321208	1320241	1320242	1320243	1320244	1320245	1320246	1320247	1320248	1320249	1320278	1320279	1320748	1320749	1320750
Protected height (mm)	160	260	310	460	610	760	910	1060	1210	1360	1510	1660	1810	1960	2110	2260
Nr. of beams	8	13	16	23	31	38	46	53	61	68	76	83	91	98	106	113
Overall height (mm)	236.5	336.5	386.5	536.5	686.5	836.5	986.5	1136.5	1286.5	1436.5	1586.5	1736.5	1886.5	2013	2163	2313


 MASTER Resolution 40 mm	-	EOS2 254 XM	EOS2 304 XM	EOS2 454 XM	EOS2 604 XM	EOS2 754 XM	EOS2 904 XM	EOS2 104 XM	EOS2 1204 XM	EOS2 1354 XM	EOS2 1504 XM	EOS2 1654 XM	EOS2 1804 XM	EOS2 1954 XM	EOS2 2104 XM	EOS2 2254 XM
Ordering codes		1321210	1320321	1320322	1320323	1320324	1320325	1320326	1320327	1320328	1320329	1320374	1320375	1320760	1320761	1320762
SLAVE Resolution 40 mm	EOS2 154 XS	EOS2 254 XS	EOS2 304 XS	EOS2 454 XS	EOS2 604 XS	EOS2 754 XS	EOS2 904 XS	EOS2 1054 XS	EOS2 1204 XS	EOS2 1354 XS	EOS2 1504 XS	EOS2 1654 XS	EOS2 1804 XS	EOS2 1954 XS	EOS2 2104 XS	EOS2 2254 XS
Ordering codes	1320330	1321211	1320331	1320332	1320333	1320334	1320335	1320336	1320337	1320338	1320339	1320376	1320377	1320763	1320764	1320765
SLAVE 2 Resolution 40 mm	-	EOS2 254 XS2	EOS2 304 XS2	EOS2 454 XS2	EOS2 604 XS2	EOS2 754 XS2	EOS2 904 XS2	EOS2 1054 XS2	EOS2 1204 XS2	EOS2 1354 XS2	EOS2 1504 XS2	EOS2 1654 XS2	EOS2 1804 XS2	EOS2 1954 XS2	EOS2 2104 XS2	EOS2 2254 XS2
Ordering codes		1321212	1320341	1320342	1320343	1320344	1320345	1320346	1320347	1320348	1320349	1320378	1320379	1320766	1320767	1320768
Protected height (mm)	160	260	310	460	610	760	910	1060	1210	1360	1510	1660	1810	1960	2110	2260
Nr. of beams	6	9	11	16	21	26	31	36	41	46	51	56	61	66	71	76
Overall height (mm)	236.5	336.5	386.5	536.5	686.5	836.5	986.5	1136.5	1286.5	1436.5	1586.5	1736.5	1886.5	2013	2163	2313

Body resolution Model XM, XS, XS2 - Max. range: 12 m

 MASTER Resolution 50 mm	-	-	EOS2 305 XM	EOS2 455 XM	EOS2 605 XM	EOS2 755 XM	EOS2 905 XM	EOS2 105 XM	EOS2 1205 XM	EOS2 1355 XM	EOS2 1505 XM	EOS2 1655 XM	EOS2 1805 XM	EOS2 1955 XM	EOS2 2105 XM	EOS2 2255 XM
Ordering codes			1320421	1320422	1320423	1320424	1320425	1320426	1320427	1320428	1320429	1320474	1320475	1320781	1320782	1320783
SLAVE Resolution 50 mm	EOS2 155 XS	-	EOS2 305 XS	EOS2 455 XS	EOS2 605 XS	EOS2 755 XS	EOS2 905 XS	EOS2 1055 XS	EOS2 1205 XS	EOS2 1355 XS	EOS2 1505 XS	EOS2 1655 XS	EOS2 1805 XS	EOS2 1955 XS	EOS2 2105 XS	EOS2 2255 XS
Ordering codes	1320430		1320431	1320432	1320433	1320434	1320435	1320436	1320437	1320438	1320439	1320476	1320477	1320784	1320785	1320786
SLAVE 2 Resolution 50 mm	-	-	EOS2 305 XS2	EOS2 455 XS2	EOS2 605 XS2	EOS2 755 XS2	EOS2 905 XS2	EOS2 1055 XS2	EOS2 1205 XS2	EOS2 1355 XS2	EOS2 1505 XS2	EOS2 1655 XS2	EOS2 1805 XS2	EOS2 1955 XS2	EOS2 2105 XS2	EOS2 2255 XS2
Ordering codes			1320441	1320442	1320443	1320444	1320445	1320446	1320447	1320448	1320449	1320478	1320479	1320787	1320788	1320789
Protected height (mm)	160		310	460	610	760	910	1060	1210	1360	1510	1660	1810	1960	2110	2260
Nr. of beams	4		8	12	16	20	24	28	32	36	40	44	48	52	56	60
Overall height (mm)	236.5		386.5	536.5	686.5	836.5	986.5	1136.5	1286.5	1436.5	1586.5	1736.5	1886.5	2013	2163	2313


EOS2 XM / XS / XS2

MASTER/SLAVE MODELS WITH BUILT-IN CONTROL FUNCTIONS

 MASTER Resolution 90 mm	-	-	EOS2 309 XM	EOS2 459 XM	EOS2 609 XM	EOS2 759 XM	EOS2 909 XM	EOS2 1059 XM	EOS2 1209 XM	EOS2 1359 XM	EOS2 1509 XM	EOS2 1659 XM	EOS2 1809 XM	EOS2 1959 XM	EOS2 2109 XM	EOS2 2259 XM
	Ordering codes		1320521	1320522	1320523	1320524	1320525	1320526	1320527	1320528	1320529	1320574	1320575	1320801	1320802	1320803
SLAVE Resolution 90 mm	-	-	EOS2 309 XS	EOS2 459 XS	EOS2 609 XS	EOS2 759 XS	EOS2 909 XS	EOS2 1059 XS	EOS2 1209 XS	EOS2 1359 XS	EOS2 1509 XS	EOS2 1659 XS	EOS2 1809 XS	EOS2 1959 XS	EOS2 2109 XS	EOS2 2259 XS
	Ordering codes		1320531	1320532	1320533	1320534	1320535	1320536	1320537	1320538	1320539	1320576	1320577	1320804	1320805	1320806
SLAVE 2 Resolution 90 mm	-	-	EOS2 309 XS2	EOS2 459 XS2	EOS2 609 XS2	EOS2 759 XS2	EOS2 909 XS2	EOS2 1059 XS2	EOS2 1209 XS2	EOS2 1359 XS2	EOS2 1509 XS2	EOS2 1659 XS2	EOS2 1809 XS2	EOS2 1959 XS2	EOS2 2109 XS2	EOS2 2259 XS2
	Ordering codes		1320541	1320542	1320543	1320544	1320545	1320546	1320547	1320548	1320549	1320578	1320579	1320807	1320808	1320809
Protected heights (mm)			310	460	610	760	910	1060	1210	1360	1510	1660	1810	1960	2110	2260
Nr. of beams			4	6	8	10	12	14	16	18	20	22	24	26	28	30
Overall height (mm)			386.5	536.5	686.5	836.5	986.5	1136.5	1266.5	1436.5	1586.5	1736.5	1886.5	2013	2163	2313

Access control

Model XM, XS, XS2 - Max. range: 12 m

 MASTER 2, 3, 4 beams	EOS2 2B XM	EOS2 3B XM	EOS2 4B XM
	Ordering codes	1320620	1320621
SLAVE 2, 3, 4 beams	EOS2 2B XS	EOS2 3B XS	EOS2 4B XS
	Ordering codes	1320630	1320631
SLAVE 2 2, 3, 4 beams	EOS2 2B XS2	EOS2 3B XS2	EOS2 4B XS2
	Ordering codes	1320640	1320641
Nr. of beams	2	3	4
Beam spacing (mm)	500	400	300
Protected heights (mm)	510	810	910
Overall height (mm)*	677	977	1077

* On Slave models, the overall height of the light curtain is the same of the standard model.

On Master and Slave 2 the total height of curtain is 24 mm due to the addition of the secondary connector.

WATERTIGHT ENCLOSURE, FOOD-GRADED, IP69K CERTIFIED



Resolution (mm)
30

Start/Restart
Manual or Automatic

Access control
2, 3, 4 beams

Safety outputs
2

SAFETY LEVEL

TYPE 2

SIL 1 - SILCL 1
PL c - Cat. 2

Watertight enclosures allow safety light curtains and access control barriers to be used in harsh working environments with exposure to water and steam.

Thanks to its inert (non-toxic) components, no residuals are left when the light curtains are washed down or when they come directly in contact with food. This makes WTF and WTHF enclosures suitable for the Food & Beverage industry.

WTHF version (heated) has a thermostatically controlled heating system and can work down to -25° C.

Protected height: 160 ... 1810 mm.

TECHNICAL FEATURES

Technical features for the light curtain	EOS2 X
Operating temperature (°C)	WTF: 0 ... +55 WTHF: -25 ... +50 (with heating system)
Max. water pressure jets	80 ... 100 bar at 80° C (± 5° C)
Max. range (m)	Selectable 3 or 10
Electrical connections	10-metre cable pre-wired with cable gland
WTHF heated power consumption	24 VDC - 20 W x Protected height (m)
Fastening	Fastening brackets included



See IP69K and Ecolab marking characteristics [on page 22](#).

WATERTIGHT ENCLOSURE

The watertight enclosure is made of:

- PMMA (polymethyl methacrylate) transparent enclosure
- POM-C (acetal resin – DELRIN®) sealing caps
- Anti-condensation system trough integrated GORE™ valve
- POM-C and stainless steel fastening brackets (AISI 316L)

APPLICATIONS


- Washing systems
- Food and beverage industry applications
- Any system that requires a washdown procedure or constantly exposed to high pressure water and steam

EOS2 WTF / WTHF


WATERTIGHT ENCLOSURE, FOOD-GRADED, IP69K CERTIFIED

PART NUMBERS

Hand resolution Model X - Max. range: 10 m

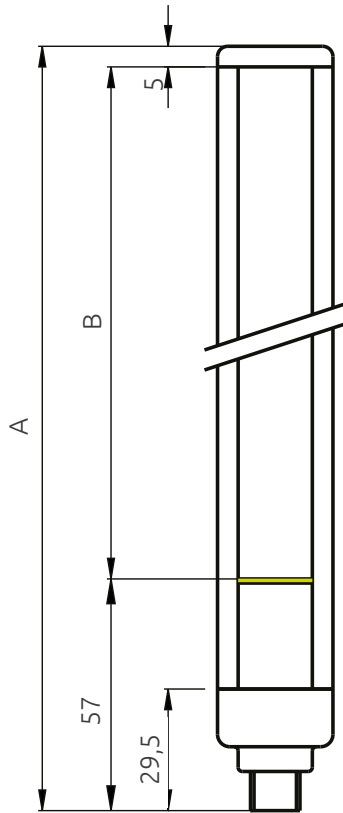
 Resolution 30 mm	EOS2 153X WTF	EOS2 303X WTF	EOS2 453X WTF	EOS2 603X WTF	EOS2 753X WTF	EOS2 903X WTF	EOS2 1053X WTF	EOS2 1203X WTF	EOS2 1353X WTF	EOS2 1503X WTF	EOS2 1653X WTF	EOS2 1803X WTF
Ordering codes	1120230	1120231	1120232	1120233	1120234	1120235	1120236	1120237	1120238	1120239	1120050	1120051
Resolution 30 mm	EOS2 153X WTHF	EOS2 303X WTHF	EOS2 453X WTHF	EOS2 603X WTHF	EOS2 753X WTHF	EOS2 903X WTHF	EOS2 1053X WTHF	EOS2 1203X WTHF	EOS2 1353X WTHF	EOS2 1503X WTHF	EOS2 1653X WTHF	EOS2 1803X WTHF
Ordering codes	1120240	1120241	1120242	1120244	1120244	1120245	1120246	1120247	1120248	1120249	1120052	1120053
Protected height (mm)	160	310	460	610	760	910	1060	1210	1360	1510	1660	1810
Nr. of beams	8	16	23	31	38	46	53	61	68	76	83	91
Overall height (mm)	337	487	637	787	937	1087	1237	1387	1537	1687	1837	1987

Access control Model X - Max. range: 10 m

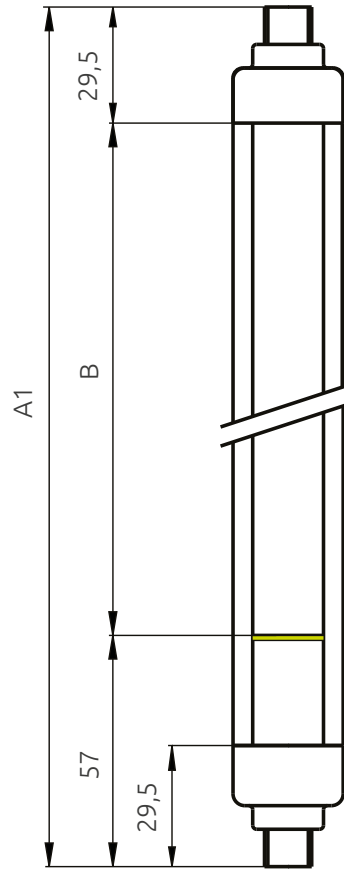
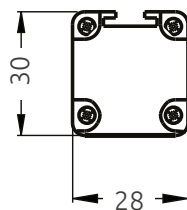
 2, 3, 4 beams	EOS2 2B X WTF	EOS2 3B X WTF	EOS2 4B X WTF	EOS2 2B X WTHF	EOS2 3B X WTHF	EOS2 4B X WTHF
Ordering codes	1120620	1120621	1120622	1120625	1120626	1120627
Nr. of beams	2	3	4	2	3	4
Beam spacing (mm)	500	400	300	500	400	300
Protected heights (mm)	510	810	910	510	810	910
Overall height (mm)	777	1077	1177	777	1077	1177

MECHANICAL DATA

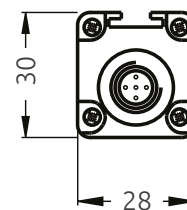
EOS4 - EOS2 EMITTER AND RECEIVER (STANDARD, MASTER, SLAVE AND SLAVE 2 MODELS)



Emitter - Receiver
Standard model and Slave model



Emitter - Receiver
Master model and Slave 2 model

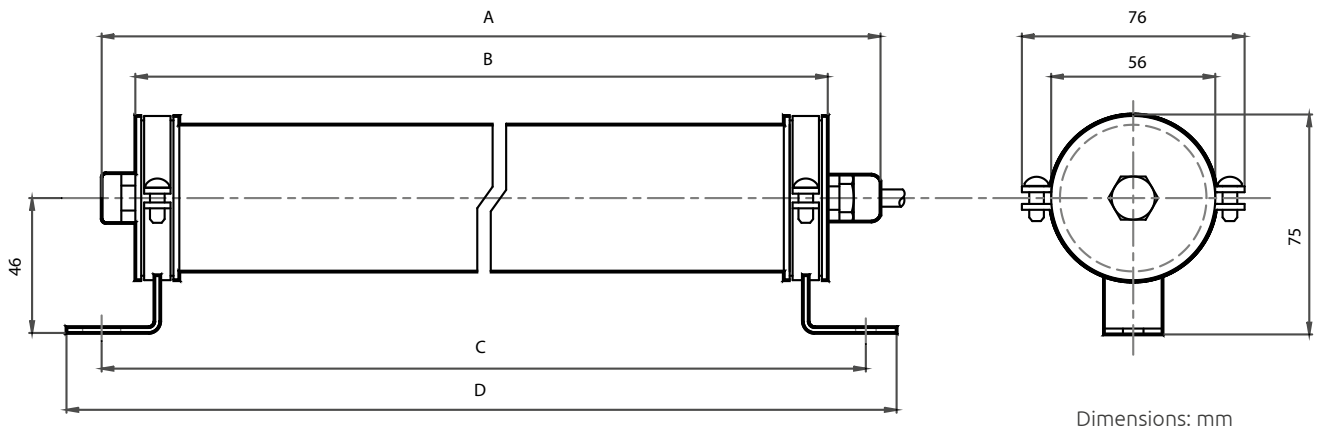


Dimensions: mm

Models	2B	3B	4B
A (mm)	653	953	1053
A1 (mm)	677	977	1077
B (mm)	590	890	990
Mounting	Set of 4 LE type brackets included		

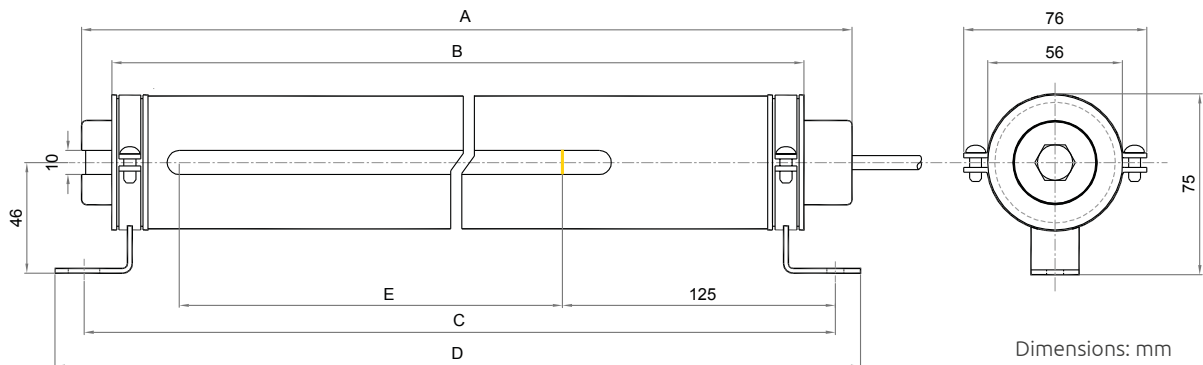
Models	150	250	300	450	600	750	900	1050	1200	1350	1500	1650	1800	1950	2100	2250
A (mm)	213	313	363	513	663	813	963	1113	1263	1413	1563	1713	1863	2013	2163	2313
A1 (mm)	236	-	386	536	686	836	986	1136	1286	1436	1586	1736	1986	2036	2186	2336
B (mm)	150	250	300	450	600	750	900	1050	1200	1350	1500	1650	1800	1950	2100	2250
Mounting	Set of 4 LE type brackets included								Set of 6 LE type brackets included							

EOS4 - EOS2 WATERTIGHT ENCLOSURE



Model	150	300	450	600	750	900	1050	1200	1350	1500	1650	1800	2B	3B	4B
A (mm)	320	470	620	770	920	1070	1220	1370	1520	1670	1820	1970	760	1060	1160
B (mm)	290	440	620	740	890	1040	1190	1340	1490	1640	1790	1940	730	1030	1130
C ± 3 (mm)	315	465	590	765	915	1065	1215	1365	1515	1665	1815	1965	755	1055	1155
D (mm)	337	487	637	787	937	1087	1237	1387	1537	1687	1837	1987	777	1077	1177

EOS4 ATEX PROTECTIVE HOUSING



Model	600	900	1203	1503	2B	3B	4B
A (mm)	767	1067	1367	1667	767	1067	1167
B (mm)	735	1035	1335	1635	735	1035	1135
C ± 3 (mm)	760	1060	1360	1660	760	1060	1160
D (mm)	780	1080	1380	1680	780	1080	1180
E (mm)	600	900	1200	1500	600	900	1000

STATUS DISPLAY

Emitter - All models

Three colour LED Meaning

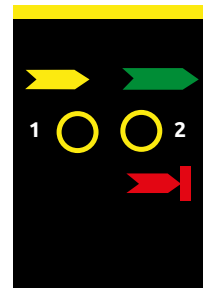
●	System power-on - Initial TEST
● 2 blinks	System power-on - HIGH working range selected
● blinking	FAIL condition - The type of fault is identified by the number of flashes - See technical manual
●	TEST condition
●	Normal operating condition



Receiver - All models except EOS4 14 mm and H (range 20 m) models

1 - Yellow LED 2 - Two colour LED Meaning

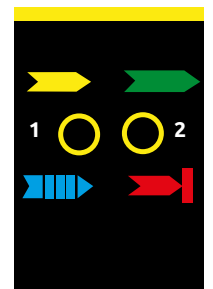
●	●	System power-on - Initial TEST
○	●	BREAK condition
●	○	CLEAR condition - EOS4 X (With integrated control functions) only
● blinking	● blinking	BREAK_K condition - EOS4 X (With integrated control functions) only
○	●	GUARD condition
○	● blinking	FAIL condition - The type of fault is identified by the number of flashes - See technical manual
● blinking	●	MASTER light curtain free; SLAVE light curtain(s) occupied



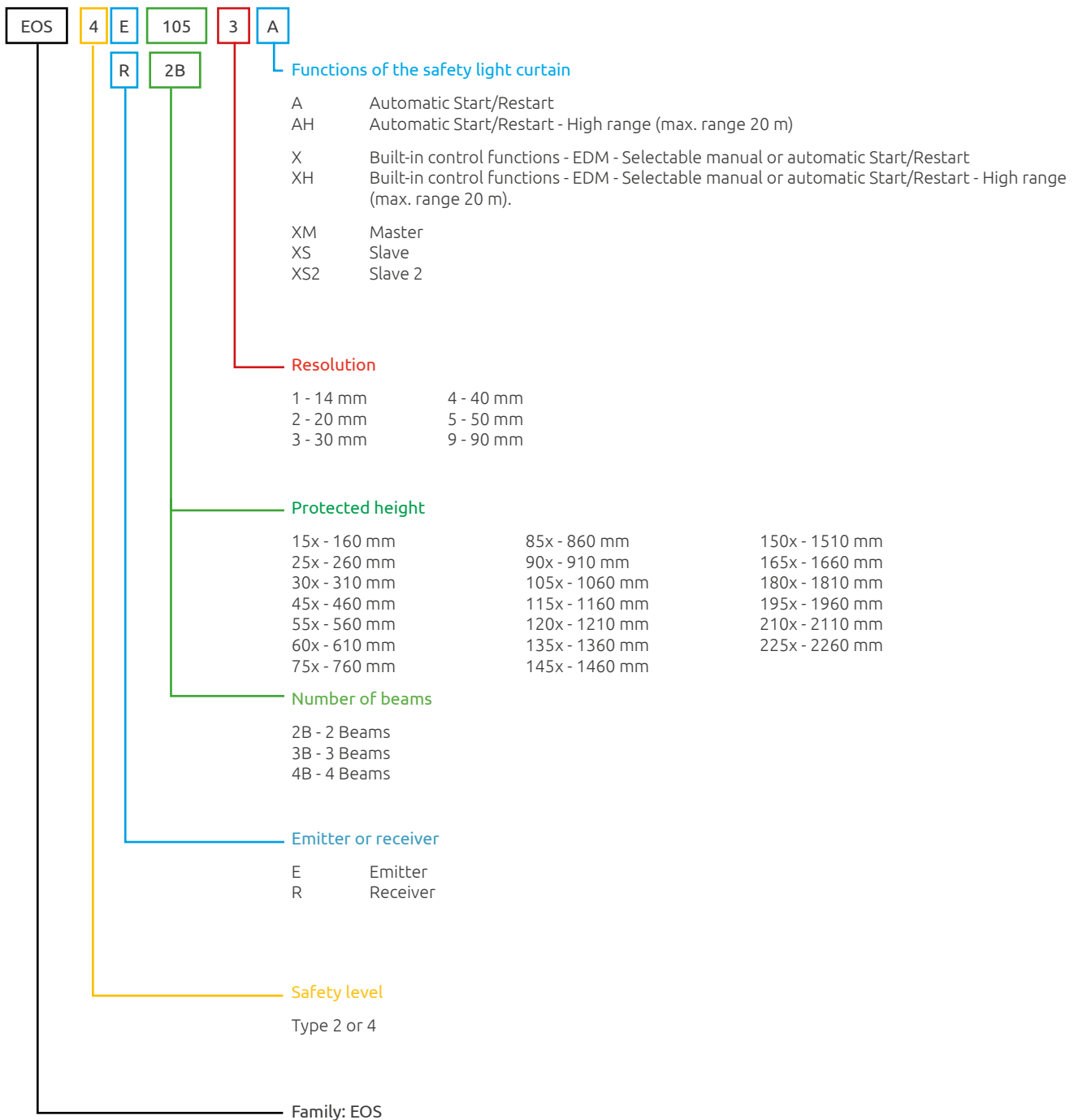
Receiver - EOS4 14 mm and H (range 20 m) models

1 - Two colour LED 2 - Two colour LED Meaning

●	●	System power-on - Initial TEST
○	●	BREAK condition
●	○	CLEAR condition - EOS4 X (With integrated control functions) only
● blinking	● blinking	BREAK_K condition - EOS4 X (With integrated control functions) only
○	●	GUARD condition
○	● blinking	FAIL condition - The type of fault is identified by the number of flashes - See technical manual
●	●	GUARD condition with weak signal
● ● alternating	○	CLEAR condition with weak signal
●	●	BREAK condition with weak signal
● ● alternating blinking	● blinking	BREAK_K condition with weak signal - EOS4 X (With integrated control functions) only



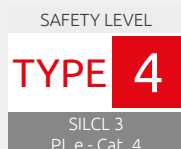
CODE LEGEND



Example:

EOS4E 305 XM =

- Type 4 safety light curtain EOS family
- Emitter
- Protected height: 310 mm
- Master
- Resolution: 50 mm
- Built-in control functions - EDM - Selectable manual or automatic Start/Restart



Interface module with self-testing solid state safety outputs for safety light curtains EOS4 A and EOS2 A.

- Guided-contact safety relays
- Start/Restart interlock
- EDM feedback input for extra external contactors monitoring

APPROVALS

- 2006/42/EC: "Machine Directive"
- 2014/30/EU: "Electromagnetic Compatibility Directive"
- 2014/35/EU: "Low Voltage Directive"
- IEC 61496-1:2012 "Safety of machinery - Electro sensitive protective equipment - General requirements and tests"
- EN 61496-2:2013 "Safety of machinery - Electro-sensitive protective equipment - Particular requirements for equipment using active opto-electronic protective devices (AOPDs)"
- IEC 62061:2005 "Safety of machinery - Functional safety of safety-related electrical, electronic and programmable electronic control systems"
- ISO 13849-1:2006 "Safety of machinery - Safety-related parts of control systems - Part 1: General principles for design"
- EN 50178:1997 "Electronic equipment for use in power installations"
- EN 55022:2010 "Information Technology Equipment - Radio Disturbance Characteristics - Limits and Methods of Measurement"
- UL (C+US) mark for USA and Canada
- The S-Mark carries the same weight in Korea as the CE-Mark does in Europe

AD SR1

TYPE 4 SAFETY INTERFACE

TECHNICAL FEATURES

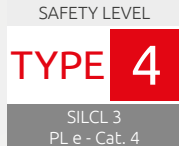
Safety relay outputs	2 NO - 2 A 250 VAC
Status output	PNP - 100 mA at 24 VDC
Response time (ms)	≤ 20
Start/Restart command according to IEC 61496-1	Manual or automatic Start/Restart selectable on terminal block
Status display	LED indication of input/output status and diagnosis
Power supply (VDC)	24 ± 20%
Electrical connections	On terminal blocks
Operating temperature (°C)	0 ... +55
Protection rating	IP20 for housing IP2X for terminal blocks
Fastening	DIN rail fastening according to EN 50022-35 standard
Dimensions h x w x d (mm)	99 x 22,5 x 114

PART NUMBERS

AD SR1 safety interface includes multi-language instruction manual and CE declaration of conformity.

Ordering code: 1330900





Interface module with self-testing solid state safety outputs and 2-sensor logic integrated Muting for safety light curtains EOS4 and EOS2.

- Guided contact safety relays
- Start/Restart interlock
- EDM feedback input for extra external contactors monitoring
- Muting time-out selectable
- Integrated Override with 2 operating modes selectable
- Muting Enable input

APPROVALS

- 2006/42/EC: "Machine Directive"
- 2014/30/EU: "Electromagnetic Compatibility Directive"
- 2014/35/EU: "Low Voltage Directive"
- IEC 61496-1:2012 "Safety of machinery - Electro sensitive protective equipment - General requirements and tests"
- EN 61496-2:2013 "Safety of machinery - Electro-sensitive protective equipment - Particular requirements for equipment using active opto-electronic protective devices (AOPDs)"
- IEC 62061:2005 "Safety of machinery - Functional safety of safety-related electrical, electronic and programmable electronic control systems"
- ISO 13849-1:2006 "Safety of machinery - Safety-related parts of control systems - Part 1: General principles for design"
- EN 50178:1997 "Electronic equipment for use in power installations"
- EN 55022:2010 "Information Technology Equipment - Radio Disturbance Characteristics - Limits and Methods of Measurement"
- UL (C+US) mark for USA and Canada
- The S-Mark carries the same weight in Korea as the CE-Mark does in Europe

AD SRM

TYPE 4 SAFETY INTERFACE WITH MUTING

TECHNICAL FEATURES

Inputs for Muting sensors	2 inputs 0 or 24 VDC - PNP or Relay - Dark-on
Muting Enable input	0 or 24 VDC - PNP or Relay
Safety relay outputs	2 NO - 2A 250 VAC.
Status output	PNP - 100 mA at 24 VDC
Muting lamp output	24 VDC; 0,5 ... 5 W
Response time (ms)	≤ 20
Start/Restart command according to IEC 61496-1	Manual or Automatic Start/Restart selectable on terminal block
Status display	LED indications of input/output status, Muting sensor inputs, diagnosis
Muting time-out	30 sec. or infinite, selectable
Override	2 operating modes selectable: - manual action with hold to run - automatic with pulse command
Override time-out (min.)	15
Power supply (VDC)	24 ± 20%
Electrical connections	On terminal block
Operating temperature (°C)	0 ... +55
Protection rating	IP20 for housing IP2X for terminal block
Fastening	DIN rail fastening according to EN 50022-35 standard
Dimensions h x w x d (mm)	99 x 35 x 114

PART NUMBERS

AD SRM safety interface includes multi-language instruction manual and CE declaration of conformity.

Ordering code: 1330904





Interface relay modules for safety light curtains EOS4 X and EOS2 X with feedback input for EDM.

- Guided-contact safety relays
- Additional NC contact line for the monitoring by light curtain (EDM)

NOTE: AD SR0 and AD SR0A modules can only be connected to safety sensors equipped with feedback input for monitoring external relays (EDM).

Certified by
TÜV Rheinland
Product Safety GmbH

This product uses two guided contact safety relays manufactured by DOLD (type OA or OA 5643 5644) and certified by TUEV Rheinland.



AD SR0 - AD SR0A

SAFETY RELAY MODULES FOR DEVICES WITH INTEGRATED FEEDBACK INPUT FOR EDM

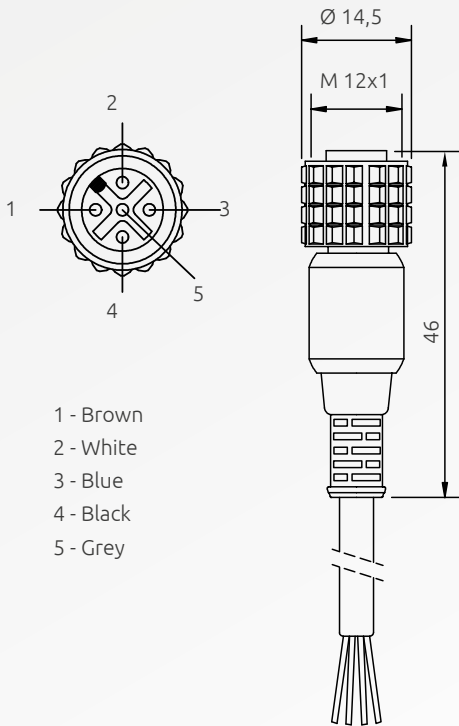
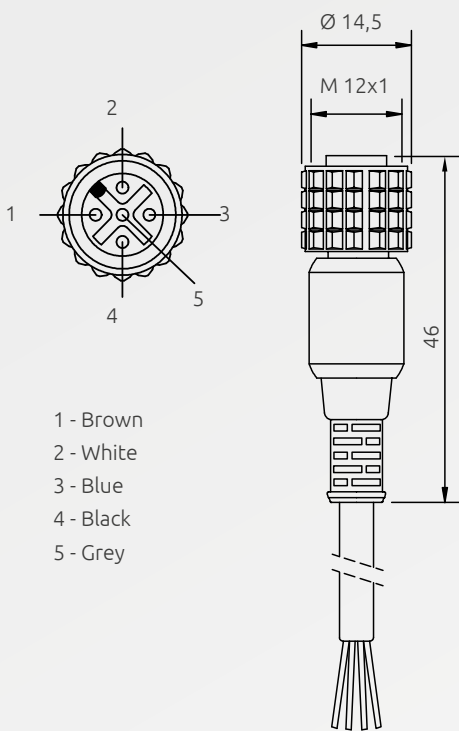
TECHNICAL FEATURES

Safety relay outputs	AD SR0 2 NO + 1 NC - 2 A 250 VAC Each NO safety output line is interrupted twice by the two relays
	AD SR0A 2 NO - 2 A 250 VAC
Response time (ms)	≤ 20
Power supply (VDC)	24 ± 20%
Electrical connections	On terminal block
Operating temperature (°C)	0 ... +55
Protection rating	IP20 for housing IP2X for terminal block
Fastening	DIN rail fastening according to EN 50022-35 standard
Dimensions h x w x d (mm)	101 x 35 x 120

PART NUMBERS

AD SR0 and AD SR0A modules include multi-language instruction manual and CE declaration of conformity.

Ordering codes AD SR0: 1330902
AD SR0A: 1330903



CD x

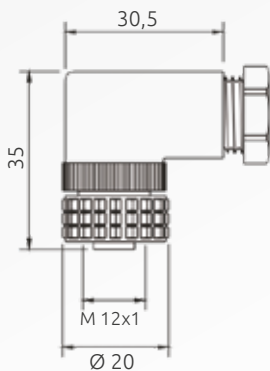
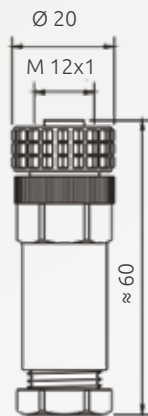
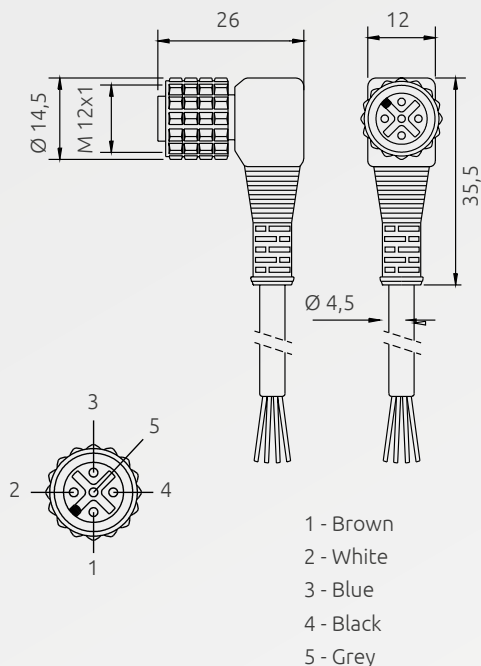
M12 STRAIGHT CONNECTOR 5-POLE

Models	Codes	Description
CD 5	1330950	Pre-wired cable 5 m
CD 10	1330956	Pre-wired cable 10 m
CD 15	1330952	Pre-wired cable 15 m
CD 20	1330957	Pre-wired cable 20 m
CD 25	1330949	Pre-wired cable 25 m
CD 50	1330965	Pre-wired cable 50 m

CD x SB

M12 STRAIGHT CONNECTOR 5-POLE, SHIELDED

Models	Codes	Description
CD 5 SB	1330850	Pre-wired shielded cable 5 m
CD 10 SB	1330856	Pre-wired shielded cable 10 m
CD 15 SB	1330852	Pre-wired shielded cable 15 m



CD 9x

M12 90° ANGLE CONNECTOR 5-POLE

Models	Codes	Description
CD 95	1330951	Pre-wired cable 5 m
CD 910	1330958	Pre-wired cable 10 m
CD 915	1330953	Pre-wired cable 15 m

CDM 9

M12 STRAIGHT CONNECTOR 5-POLE SCREW TERMINAL, PG9 CABLE GLAND

Models	Codes
CDM 9	1330954

C8DM 9

M12 STRAIGHT CONNECTOR 8-POLE SCREW TERMINAL, PG9 CABLE GLAND

Models	Codes
C8DM 9	1330986

CDM 99

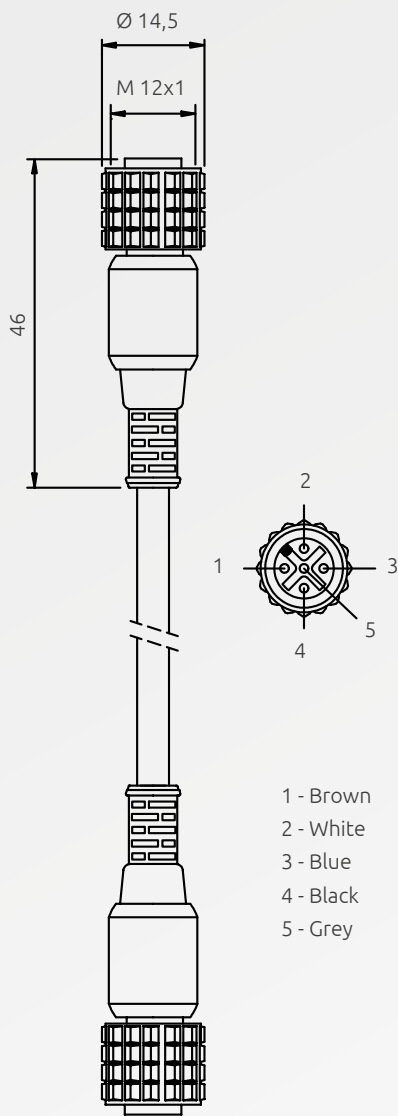
M12 90° ANGLE CONNECTOR 5-POLE SCREW TERMINAL, PG9 CABLE GLAND

Models	Codes
CDM 99	1330955

C8DM 99

M12 90° ANGLE CONNECTOR 8-POLE SCREW TERMINAL, PG9 CABLE GLAND

Models	Codes
C8DM 99	1330987



CDS 03

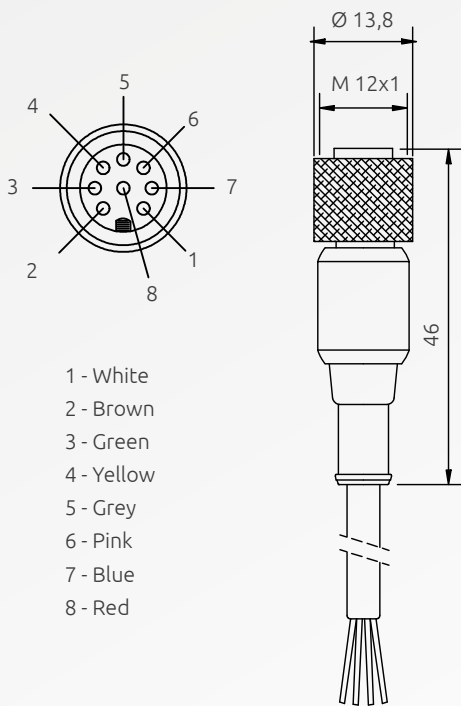
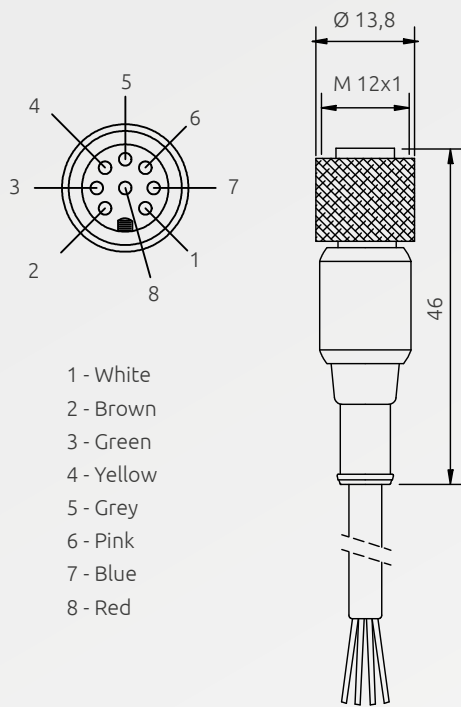
CABLE WITH 2 STRAIGHT CONNECTORS M12 5-POLE

Models	Codes	Description
CDS 03	1330990	0,3 m pre-wired cable with 2 straight connectors M12 5-pole

CJBE x

CABLE WITH 2 STRAIGHT CONNECTORS M12 5-POLE

Models	Codes	Description
CJBE 3	1360960	Pre-wired cable 3 m
CJBE 5	1360961	Pre-wired cable 5 m
CJBE 10	1360962	Pre-wired cable 10 m
CJBE 25	1360963	Pre-wired cable 25 m



C8D x

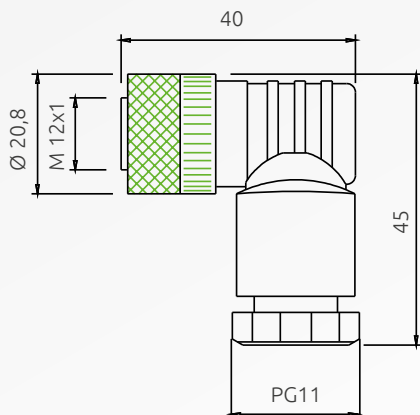
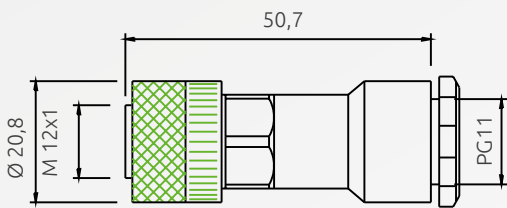
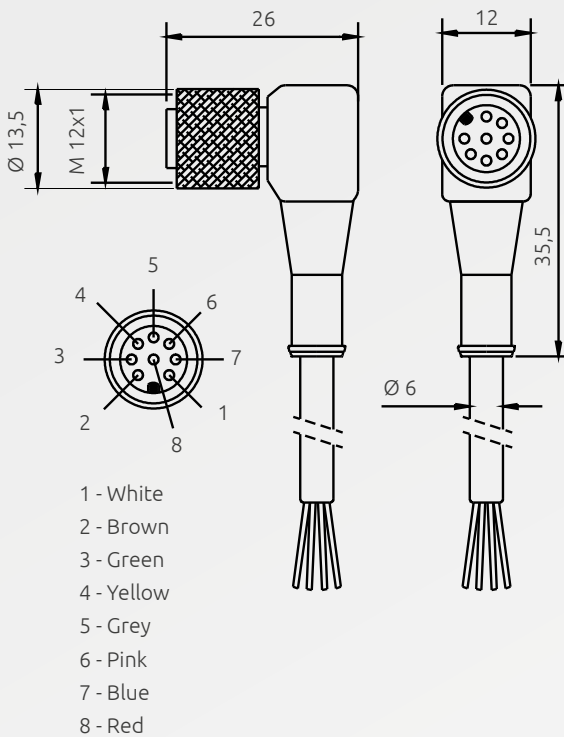
M12 STRAIGHT CONNECTOR 8-POLE

Models	Codes	Description
C8D 5	1330980	Pre-wired cable 5 m
C8D 10	1330981	Pre-wired cable 10 m
C8D 15	1330982	Pre-wired cable 15 m
C8D 25	1330967	Pre-wired cable 25 m
C8D 40	1330966	Pre-wired cable 40 m

C8D x SB

M12 STRAIGHT CONNECTOR 8-POLE, SHIELDED

Models	Codes	Description
C8D 5 SB	1330880	Pre-wired shielded cable 5 m
C8D 10 SB	1330881	Pre-wired shielded cable 10 m
C8D 15 SB	1330882	Pre-wired shielded cable 15 m



C8D 9x

M12 90° ANGLE CONNECTOR 8-POLE

Models	Codes	Description
C8D 95	1330983	Pre-wired cable 5 m
C8D 910	1330984	Pre-wired cable 10 m
C8D 915	1330985	Pre-wired cable 15 m

C8DM 11

M12 STRAIGHT CONNECTOR 8-POLE SCREW TERMINAL, PG11 CABLE GLAND

Models	Codes
C8DM 11	1330978

C8DM 911

M12 90° ANGLE CONNECTOR 8-POLE SCREW TERMINAL, PG11 CABLE GLAND

Models	Codes
C8DM 911	1330979



FMC EB

FMC CB

Support columns for ReeR safety light curtains, designed to provide secure fastening to the floor, fast installation, and a simple and precise adjustment of the optical alignment of the system.



PG11 cable gland
FMC EB R Models

Steel base with springs for a perfect adjustment of the column vertical axis.

FMC EB R models for light curtains complete with PG11 rear union for light curtain cable sheath.

Columns made by aluminium extrusion poles, with adjustable angular orientation. Easy assembling and disassembling of the light curtain with easy adjustment of the first beam's height.

Steel foundation inserts included with the product.

Built-in spirit level for a correct positioning of the vertical axis.



FMC EB / FMC EBR

FLOOR SUPPORT COLUMNS FOR LIGHT CURTAINS

PART NUMBERS

Columns

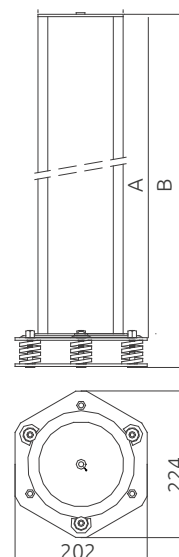
Standard Models	FMC EB 2	FMC EB 4	FMC EB 1700	FMC EB 2000
Ordering codes	1207814	1207815	1207816	1207817
Models with PG11 rear union for cable sheath	FMC EB 2 R	FMC EB 4 R	FMC EB 1700 R	FMC EB 2000 R
Ordering codes	1207824	1207825	1207826	1207827
A - Height (mm)	1000	1200	1670	1970
B - Overall height with FMC CB base (mm)	1055	1255	1725	2025
B - Overall height with FMC CBL base (mm)	1037	1237	1707	2007

Bases for columns

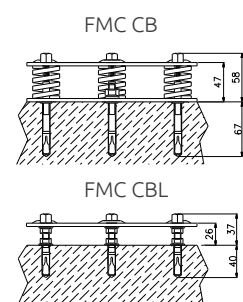
Models	FMC CB	FMC CBL
Ordering codes	1200500	1200501
Description	Base for column	Base for column with reduced height
Height (mm)	55	37

Note for ordering

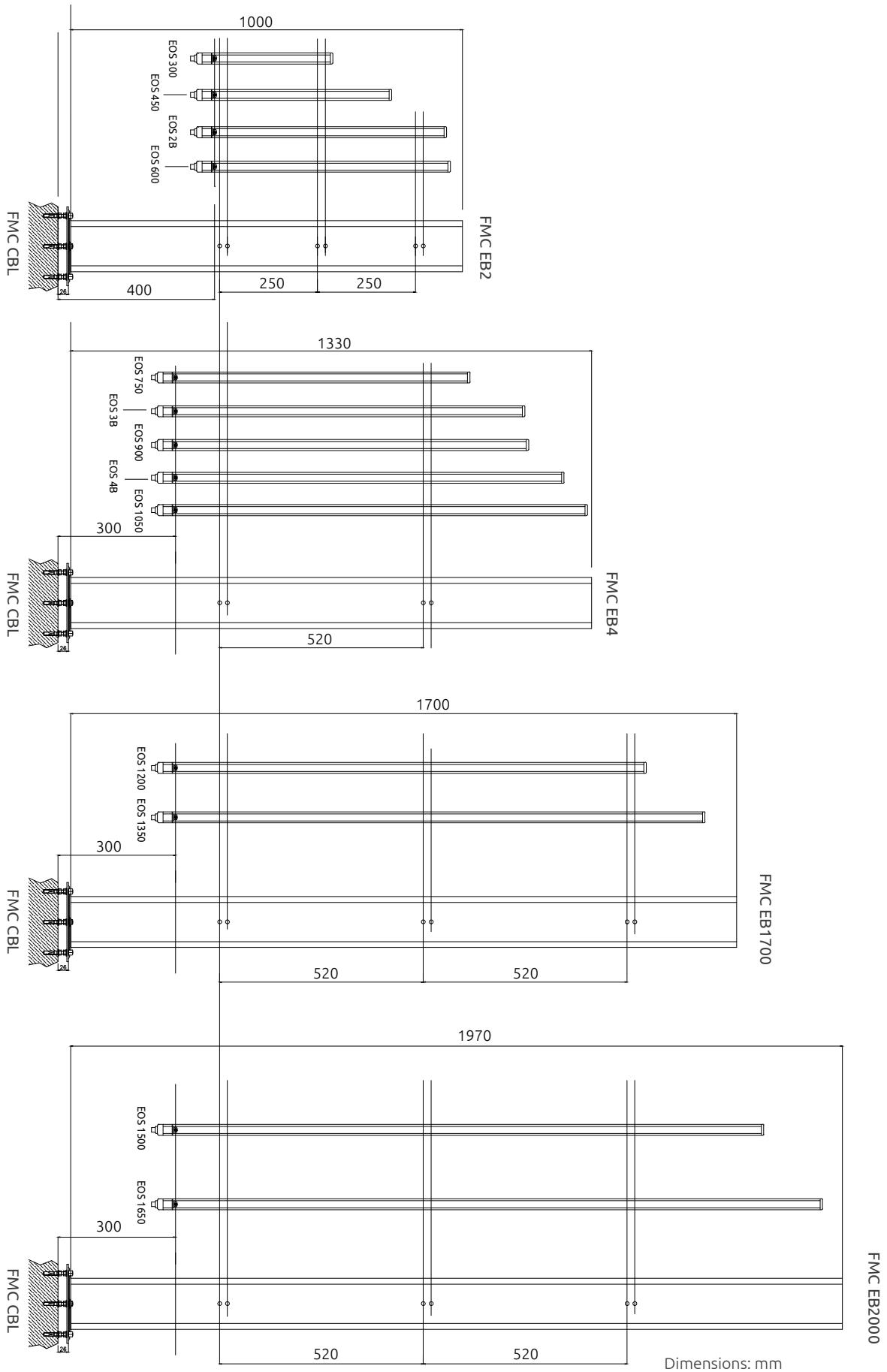
The column ordering codes does not include the base which must be ordered separately (CB FMC and FMC CBL models).



A: column height
B: column height with base FMC CB or FMC CBL



LIGHT CURTAINS - COLUMNS CORRESPONDANCE



FMC B12 / B18 SUPPORT COLUMNS

PART NUMBERS

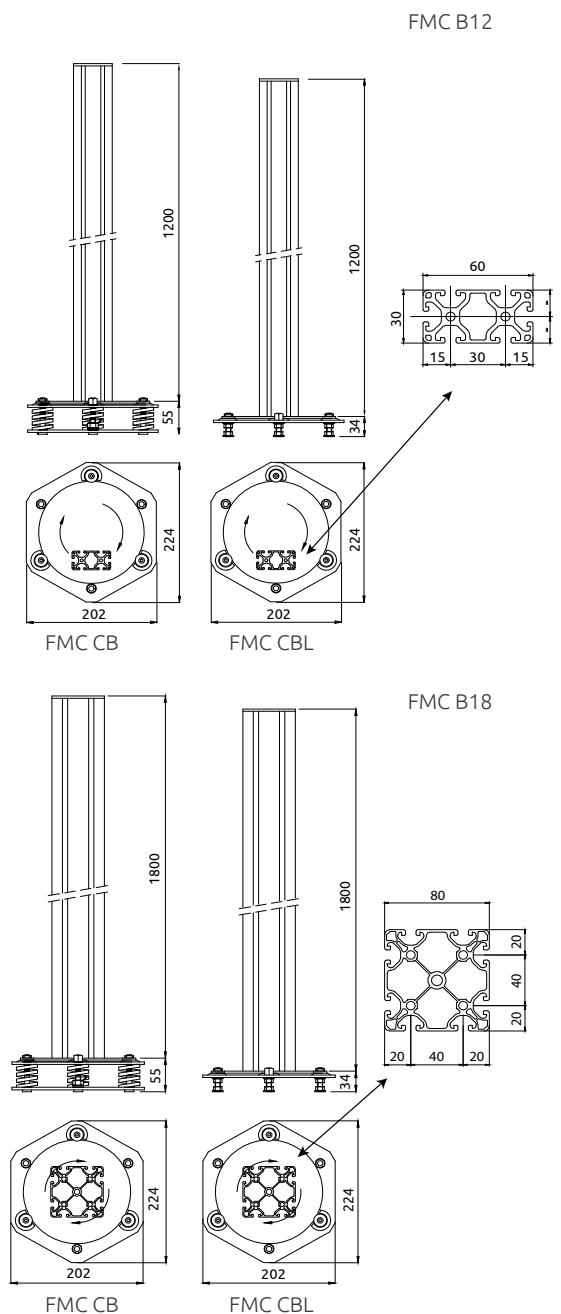
Models	FMC B12	FMC B18
Ordering codes	1200502	1200505
Dimensions (mm)	60 x 30	80 x 80
Height (mm)	1200	1800
Overall height with FMC CB base (mm)	1255	1255
Overall height with FMC CBL base (mm)	1237	1237



Simplified version for 2, 3, 4 beams light grids. It permits the use with light grids with integrated Muting sensors.

Note for ordering

The column ordering codes does not include the base which must be ordered separately (CB FMC and FMC CBL models).



FMC S / FMC SB

COLUMNS WITH DEFLECTING MIRROR

PART NUMBERS

Models	FMC S2	FMC S3	FMC S4	FMC S 1700	FMC S 2000
Ordering codes	1200620	1200621	1200622	1200625	1200623
Description	single mirror for 2 beams and controlled height up to 700 mm light curtains	single mirror for 3 beams and controlled height up to 900 mm light curtains	single mirror for 4 beams and controlled height up to 900 mm light curtains	single mirror for controlled height up to 1360 mm	single mirror for controlled height up to 1660 mm
A - Height (mm)	1000	1200	1330	1670	1970
B - Overall height with FMC CB base (mm)	1055	1255	1385	1725	2025
B - Overall height with FMC CBL base (mm)	1037	1237	1367	1707	2007

Models	FMC SB2	FMC SB3	FMC SB4
Ordering codes	1200645	1200646	1200647
Description	2 mirrors for 2 beams light curtains	3 mirrors for 3 beams light curtains	4 mirrors for 4 beams light curtains
A - Height (mm)	1000	1200	1330
B - Overall height with FMC CB base (mm)	1055	1255	1385
B - Overall height with FMC CBL base (mm)	1037	1237	1367

Note for ordering

The column ordering codes does not include the base which must be ordered separately (CB FMC and FMC CBL models).



Support columns for deflecting mirrors, designed to provide secure fastening to the floor, fast installation, and a simple and precise adjustment of the optical alignment of the system.

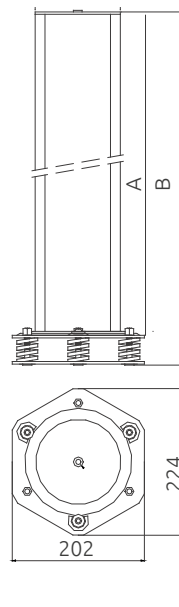
FMC S models with pre-assembled deflecting mirrors, allow perimeter protections of up to 4 sides.

FMC SB models with pre-installed independent adjustable deflecting mirrors for safety light grids with 2, 3 and 4 beams. For applications with multiple sides and/or with a large protected perimeter is recommended the use of this models.

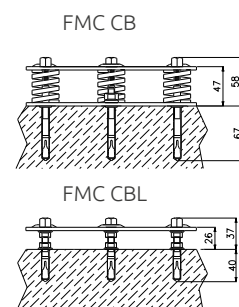
Optical power reduction factor: 15% for each mirror.

Special models equipped with mirror with protective anti-fragmentation film available on request.

NOTE: for more information on how to chose mirrors, please refers to Reer website, section "Light Curtains - Applications".



A: column height
B: column height with base FMC CB or FMC CBL



SP

DEFLECTING MIRRORS

TECHNICAL FEATURES

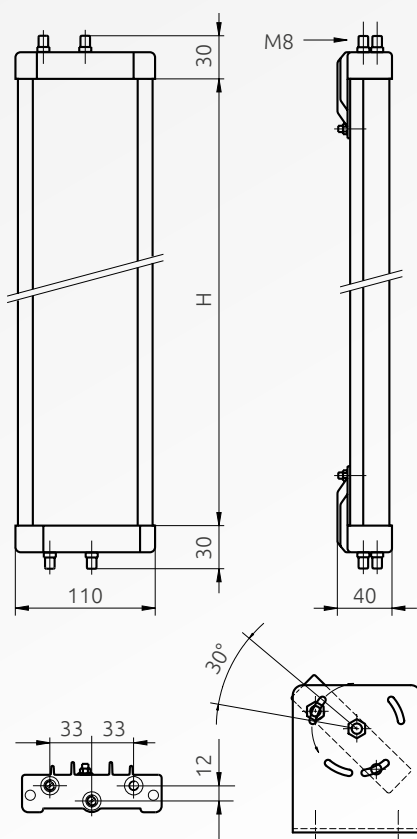
Section bar	Extruded aluminium
Mirror pre-fitted with heights (mm)	250 ... 1900
Angular orientation	Adjustable using supplied brackets
Optical power reduction factor	15% (for each mirror)
Protective anti-fragmentation film	Available on request

PART NUMBERS

Models	Ordering codes	Height H in picture (mm)	For light curtains with protected height (mm)	For light grids with:
SP 100 S	1201805	250	160	
SP 200 S	1201800	370	250	
SP 300 S	1201806	400	310	
SP 400 S	1201801	540	460	
SP 600 S	1201811	715	610	2 beams
SP 700 S	1201802	885	760	
SP 900 S	1201812	1065	910	3 beams
SP 1100 S	1201803	1230	1060	4 beams
SP 1200 S	1201810	1400	1210	
SP 1300 S	1201807	1450	1360	
SP 1500 S	1201808	1600	1510	
SP 1600 S	1201813	1750	1660	
SP 1800 S	1201809	1900	1810	

The SP deflecting mirrors allows to create perimeter protection of areas with access points on multiple sides, with a considerable reduction of costs.

This solution eliminates the need to use multiple safety light curtains allow perimeter protection of up to 4 sides.



The following rules should be taken into consideration when using deflecting mirrors:

- Total working distance (range) given by the sum of the lengths of all sides giving access to the protected area
- Each mirror used will decrease the maximum working range between the Emitter and the Receiver by 15%
- In order to ensure compliance mirrors must be placed at the minimum safety distance on each side from the danger zone
- The use of the LAD laser alignment device is recommended for a quick and reliable alignment of the system especially when using longer range light curtains or grids

NOTE: for more information on how to chose mirrors, please refers to ReeR website, section "Light Curtains - Applications".



The SFB 4E / SFB 6E swivel brackets allow the rotation of the light curtain around its longitudinal axis, as well as the adjustment of its vertical and horizontal position.

The use of the SFB 4E / SFB 6E swivel brackets is recommended to align those light curtains which are employed in applications having a long range or using deflecting mirrors.



The SFB E180 swivel brackets allow the 180° rotation of the light curtain around its longitudinal axis, as well as the adjustment of its vertical and horizontal position.

The use of the SFB E180 swivel brackets is recommended to align those light curtains which are employed in applications having a long range or using deflecting mirrors.

SFB 4E / SFB 6E SWIVEL BRACKETS

PART NUMBERS

Models	Ordering codes	Description
SFB 4E	1310976	Set of 4 swivel brackets for EOS with length \leq 1200 mm
SFB 6E	1310977	Set of 6 swivel brackets for EOS with length \geq 1200 mm

One set must be ordered for each pair of light curtain (emitter + receiver)

SFB E180 180° SWIVEL BRACKETS

PART NUMBERS

Models	Ordering codes	Description
SFB E180	1310980	Set of 4 180° swivel brackets for EOS

One set must be ordered for each pair of light curtain (emitter + receiver)



The FE 4 brackets, with a thickness of only 4 mm, allow proper fastening of EOS light curtains.



The fast-coupling SFB FAST brackets allow a fast and accurate mechanical fixing of the EOS series barriers.

A fine adjustment on the rotation axis of the light curtains of $\pm 6^\circ$ is allowed.

Made of PA 6.6 reinforced with glass fiber plastic, these brackets are extremely durable.

FLAT FE 4 FLAT BRACKETS

PART NUMBERS

Models	Ordering codes	Description
FE 4	1310997	Set of 4 flat brackets for EOS
One set must be ordered for each pair of light curtain (emitter + receiver)		

SFB FAST FAST-COUPLING BRACKETS

PART NUMBERS

Models	Ordering codes	Description
SFB FAST	1310969	Set of 4 fast-coupling brackets
One set must be ordered for each pair of light curtain (emitter + receiver)		



LAD 4 laser alignment device allows a fast and reliable optical alignment of Reer safety light curtains; also compatible with the use of the FMC floor mounting columns.

LAD 4 devices emit a laser beam with visible red light with useful range up to 100 m.

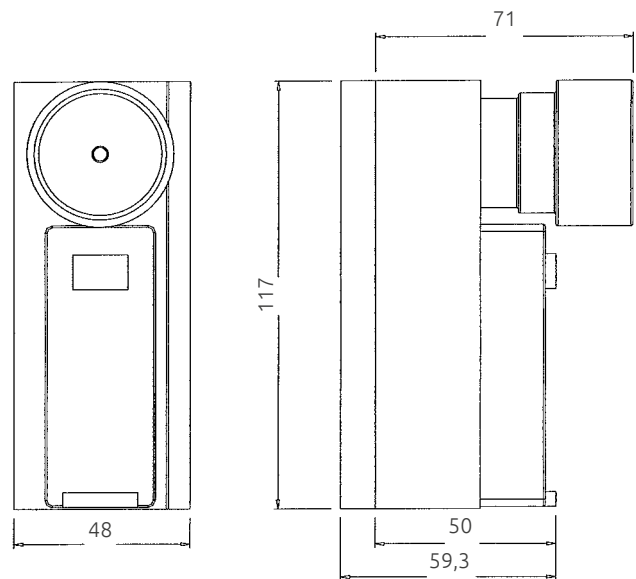
The use is recommended for aligning light curtains that operate over long distances or multiple sides with the use of deflecting mirrors.

LAD 4

LASER ALIGNEMENT DEVICE

TECHNICAL FEATURES

Light source	Laser diode – wavelength 650 nm
Class light source	II – EN 60825-1
Range (m)	100
Beam divergence (mrd)	< 0,5
Max. power (mW)	1
Power supply (VDC)	3 (2 AAA batteries)
Fastening	Quick fastening to the light curtains
Dimensions h x w x d (mm)	117 x 48 x 80



Dimensions: mm

PART NUMBERS

Includes multi-language instruction manual.

Ordering code LAD 4: 1310975



PSE is a polycarbonate protective screen that preserves the light curtain's front screen from damages due to welding sparks or due to the presence of acids in the workspace.

Protective screens can be quickly replaced thanks to the fast and easy stainless steel clamping system.

SFS - PSE

PROTECTIVE SCREENS

PART NUMBERS

Each kit includes:

- SFS E (ordering code 1310981) - 1 set of stainless steel clamps for one safety light curtain (emitter and receiver)
- PSEx (ordering codes from 1310982 to 1310995 according to the length of light curtain) - 4 protective screens (2 as spare parts)

For each pairs of safety light curtain (emitter and receiver) it's necessary order both codes.

Models	PSE 150	PSE 300	PSE 450	PSE 600	PSE 750	PSE 900
Ordering codes	1310982	1310983	1310984	1310985	1310986	1310987
Models	PSE 1050	PSE 1200	PSE 1350	PSE 1500	PSE 1650	PSE 1800
Ordering codes	1310988	1310989	1310990	1310991	1310992	1310996
Models	PSE 2B	PSE 3B	PSE 4B			
Ordering codes	1310993	1310994	1310995			



The test rod is an opaque cylinder used after the installation of a safety light curtain to verify that no beams are bypassed due to the presence of reflecting surfaces.

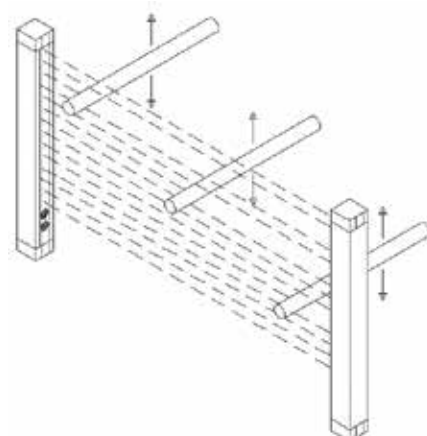
The test is carried out by slowly moving the test rod (\emptyset = Resolution) in the centre and then along each side of the protected area. During this procedure the Green led on the Receiver must always remain in the off state.

TR

TEST RODS

PART NUMBERS

Models	Ordering codes	Diameter
TR 14	1330960	\emptyset 14 mm
TR 20	1330961	\emptyset 20 mm
TR 30	1330962	\emptyset 30 mm
TR 40	1330963	\emptyset 40 mm
TR 50	1330964	\emptyset 50 mm



SAV 4E, SAV 8E, SAV 12E VIBRATION DAMPERS

PART NUMBERS

Models	Ordering codes	Description	For light curtains with protected height mm / beams
SAV 4E	1310972	Set of 4 vibrations dampers	160
SAV 8E	1310973	Set of 8 vibrations dampers	310 ... 1050
SAV 12E	1310974	Set of 12 vibrations dampers	1210 ... 1810 / 2, 3, 4

One set must be ordered for each pair of light curtain (emitter + receiver)



The SAV vibration dampers have been designed to avoid mechanical damage to the light curtains installed in those applications with a high level of vibrations.

The unprotected light curtains might resent the vibrations produced by e.g. presses, weaving machines, etc.



REEER *Customer Service*

We put our Customers always first

ReeR after sales service is committed to support all customers that need technical guidance regarding functionality, handling and installation of our products.

Customer Service Hotline

+39 011 24 82 215

Monday to Friday 8.30 - 12.30 and 13.30-18.00 (CET)

or contact

aftersales@reer.it

For product returns please visit www.reersafety.com for further information.



Your future's safe!

60 years of quality and innovation

Founded in Turin (Italy) in 1959, ReeR distinguished itself for its strong commitment to innovation and technology.

A steady growth throughout the years allowed ReeR to become a point of reference in the safety automation industry at a worldwide level.

The Safety Division is in fact today a world leader in the development and manufacturing of safety optoelectronic sensors and controllers.

ReeR is ISO 9001, ISO 14001 and ISO 45001 certified.



ReeR SpA
Via Carcano, 32
10153 Torino, Italy

T +39 011 248 2215
F +39 011 859 867

www.reersafety.com | info@reer.it



Issue 2 - Rev 1.1
March 2018
8946223
EOS - English

Printed in Italy

