

ACCESSORIES



FMC - FLOOR SUPPORT COLUMNS

Support columns for Reer safety light curtains and deflection mirrors, designed to provide secure fastening to the floor, fast installation, and a simple and precise adjustment of the optical alignment of the system.

MAIN FEATURES

- Steel base with springs for a perfect adjustment of the column vertical axis.
- Columns made by aluminium extrusion poles, with adjustable angular orientation.
- Easy assembling and disassembling of the light curtain with easy adjustment of the first beam's height.
- FMC E and FMC B models for light curtains.
- FMC E_R and FMC B_R models for light curtains complete with PG11 rear union for light curtain cable sheath.
- FMC S models with pre-assembled deflector mirrors to realize perimeter protections up to 4 sides.
- FMC-SB models with pre-installed independent adjustable deflection mirrors for safety light grids with 2, 3 and 4 beams. [NEW PRODUCT]
- Optical power reduction factor 15% (for each mirror).
- Special models equipped with mirror with protective anti-fragmentation film available on request.
- Steel foundation inserts included with the product.
- Built-in spirit level for a correct positioning of the vertical axis.

Can be used with the following light curtains:

light curtains	Columns for light curtains	Columns with mirrors
EOS	models FMC EB / FMC EBR	FMC S with single mirror FMC SB with 2, 3, 4 mirrors
MICRON		
ADMIRAL	models FMC B / models FMC BR	
JANUS		
VISION		
METRON		



**PG11
Cable gland**



spirit level

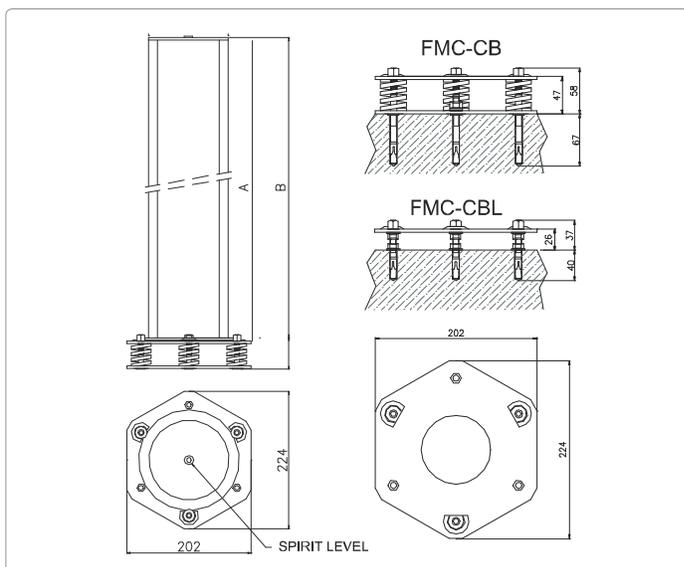
FMC - FLOOR SUPPORT COLUMNS

TECHNICAL FEATURES AND DIMENSIONS (mm)

COLUMNS FOR LIGHT CURTAINS - JANUS - VISION - ADMIRAL - METRON					
Standard Models	FMC-B2	FMC-B3	FMC-B4	FMC-B1700	FMC-B2000
Ordering code	1200610	1200611	1200612	1200618	1200616
Models with PG11 rear union for cable sheath	FMC-B2R	FMC-B3R	FMC-B4R	FMC-B1700R	FMC-B2000R
Ordering code	1200613	1200614	1200615	1200617	1200619
For light curtains with:	2 beams	3 beams	4 beams	controlled height up to 1360 mm	controlled height up to 1660 mm
Overall height with base (mm)	1055	1255	1385	1725	2025

COLUMNS FOR LIGHT CURTAINS - EOS - MICRON				
Standard Models	FMC-EB2	FMC-EB4	FMC-EB1700	FMC-EB2000
Ordering code	1200613	1207815	1207815	1207817
Models with PG11 rear union for cable sheath	FMC-EB2R	FMC-EB4R	FMC-EB1700R	FMC-EB2000R
Ordering code	1207824	1207825	1207826	1207827
For light curtains with:	controlled height 310, 460, 610, 2 beams	controlled height 760, 910, 1060, 3 and 4 beams	controlled height up to 1360 mm	controlled height up to 1660 mm
Overall height with base (mm)	1055	1255	1725	2025

COLUMNS WITH DEFLECTION MIRROR								
Models	FMC-S2	FMC-SB2	FMC-S3	FMC-SB3	FMC-S4	FMC-SB4	FMC-S1700	FMC-S2000
Ordering code	1200620	1200645	1200621	1200646	1200622	1200647	1200625	1200623
Description	single mirror for 2 beams light curtains	2 mirrors for 2 beams light curtains	single mirror for 3 beams light curtains	3 mirrors for 3 beams light curtains	single mirror for 4 beams light curtains	4 mirrors for 4 beams light curtains	controlled height up to 1360 mm	controlled height up to 1660 mm
Overall height with base (mm)	1055		1255		1385		1725	2025

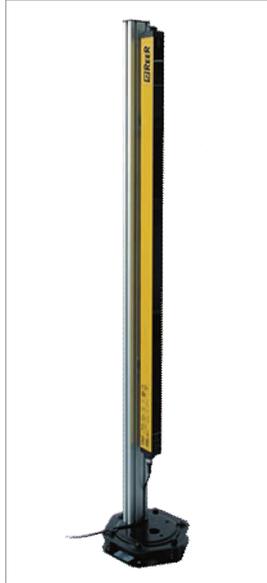


Model	A	B
COLUMNS FOR LIGHT CURTAINS		
FMC-B2/EB2	1000	1055
FMC-B3	1200	1255
FMC-B4/EB4	1330	1385
FMC-B1700/EB1700	1670	1725
FMC-B2000/EB2000	1970	2025
COLUMNS WITH DEFLECTION MIRROR		
FMC-S2/SB2	1000	1055
FMC-S3/SB3	1200	1255
FMC-S4/SB4	1330	1385
FMC-S1700	1670	1725
FMC-S2000	1970	2025
BASE FOR COLUMNS		
FMC-CB	202 x 224 x 55 h	
FMC-CBL	202 x 224 x 37 h	
Each floor mounting columns includes multi-language instruction manual		

FMC-B12 - FMC-B18 - SUPPORT COLUMNS

MAIN FEATURES

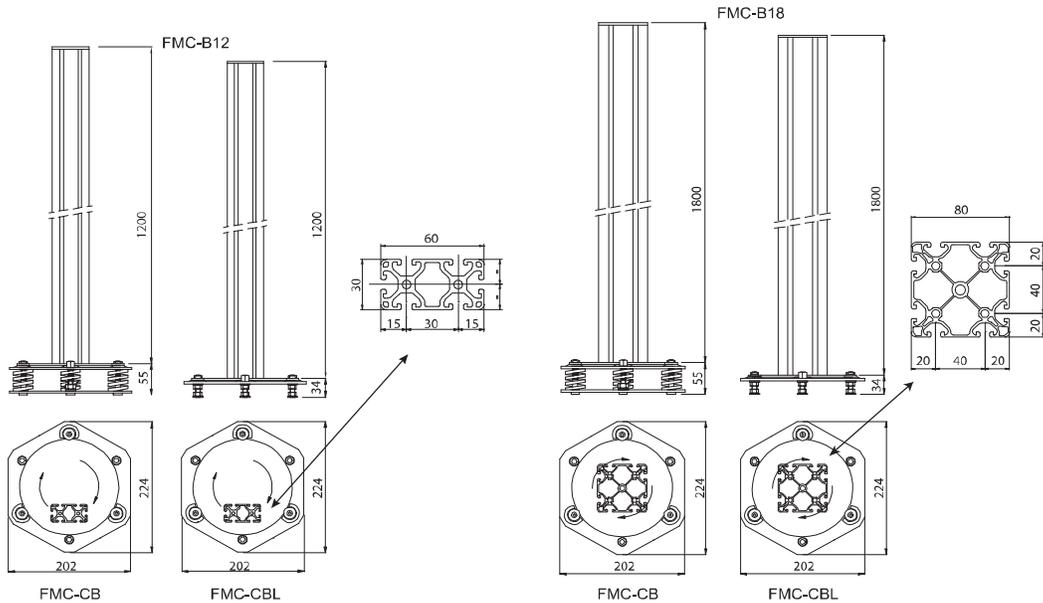
Simplified version for 2, 3, 4 beams light grids. It permits the use with light grids with integrated Muting sensors:
 Janus MT and ML, Vision MXL L and MXL T.
 FMC-B12 can also be used with: Admiral, Vision, EOS4 and EOS2, Micron and Metron.



COLUMNS FOR LIGHT CURTAINS

Model	FMC-B12	FMC-B18
Ordering code	1200502	1200505
Each column includes: fixing brackets and multi-language instruction manual.		

DIMENSIONI (mm)



SP - DEFLECTION MIRRORS

The SP deflection mirrors make it possible to create perimeter protection of areas with access points on multiple sides, with a considerable reduction of costs.

This solution eliminates the need to use more than one safety light curtain.

MAIN FEATURES

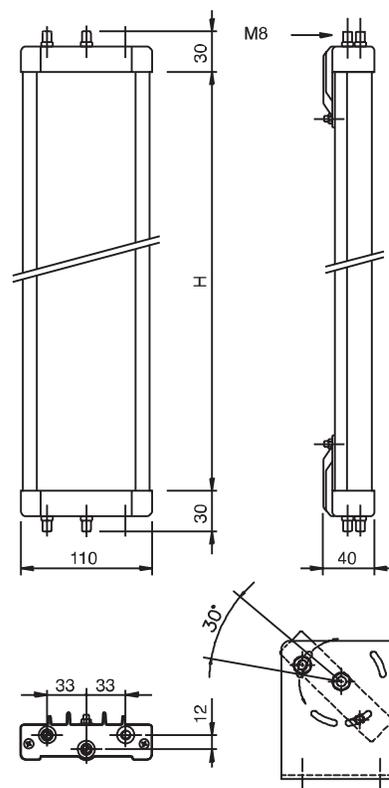
- Extruded aluminium section bar.
- Mirror pre-fitted with heights from 250 to 1900 mm.
- Angular orientation adjustable using supplied brackets.
- Optical power reduction factor 15% (for each mirror).
- Special models equipped with mirror with protective anti-fragmentation film available on request.
- Can be used to realise perimeter protection up to 4 sides.



Dimensions (mm) & mirror-light curtain combinations

Mirror Model	Ordering code	Dimension H in picture	For light curtains with protected height (mm)	For light grids with:
SP 100 S	1201805	250	160	
SP 300 S	1201806	400	310	
SP 400 S	1201801	540	460	
SP 600 S	1201811	715	610	2 beams
SP 700 S	1201802	885	760	
SP 900 S	1201812	1065	910	3 beams
SP 1100 S	1201803	1230	1060	4 beams
SP 1200 S	1201810	1400	1210	
SP 1300 S	1201807	1450	1360	
SP 1500 S	1201808	1600	1510	
SP 1600 S	1201813	1750	1660	
SP 1800 S	1201809	1900	1810	

Each mirror is supplied with two adjustable fixing brackets
 Each SP Mirror includes: multi-language instruction manual.



WARNING!

- The following rules should be taken into consideration when using deflector mirrors:
- the working distance (range) is given by the sum of the lengths of all the sides giving access to the protected area.
 - for each mirror used the maximum working range between the Emitter and the Receiver is reduced by 15%.
 - place the mirrors in order to ensure compliance with the minimum safety distance on each side from which the danger zone can be accessed.
 - when light curtains and grids are working with long distance or with deflector mirrors, it is recommendable to use the LAD laser pointer for a quick and reliable alignment of the system.

LAD - LASER ALIGNEMENT DEVICE

MAIN FEATURES

The LAD laser alignment device makes it possible to obtain a fast and reliable optical alignment of the Reer safety light curtains of the EOS4 and EOS2, Admiral, Vision, Micron, Metron and Janus series; they are also compatible with the use of the FMC floor mounting columns.

The LAD devices emit a laser beam with visible red light with useful range up to 100 m.

Their use is recommended for aligning light curtains that operate over long distances or multiple sides with the use of deflection mirrors.



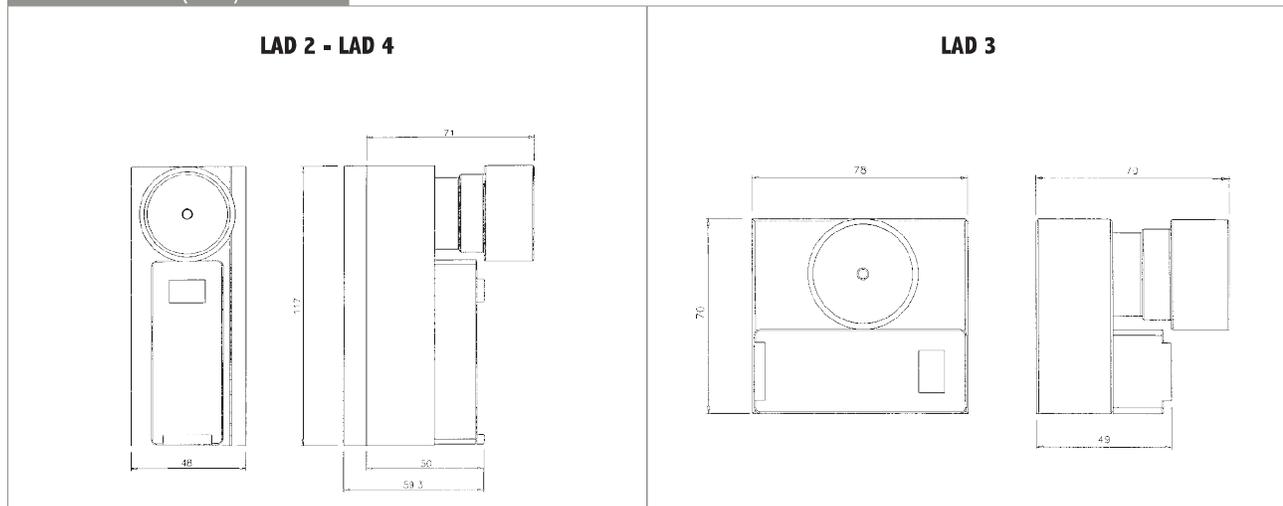
TECHNICAL FEATURES

Light source	laser diode – wavelength 650 nm
Class light source	II – EN 60825-1
Range m	100
Beam divergence (mrd)	< 0,5
Max. power (mW)	1
Power supply (VDC)	3 (2 AAA batteries)
Fastening	quick fastening to the light curtains
Dimensions (h x w x d) mm	117 x 48 x 80 - LAD 2 - LAD 4 70 x 78 x 70 - LAD 3



Model	Ordering code	for light curtains:
LAD 2	1220301	Admiral - Vision - Metron
LAD 3	1220302	Janus
LAD 4	1310975	EOS4 - EOS2 - Micron

DIMENSIONS (mm)



Each LAD model includes multi-language instruction manual.

SAV - VIBRATION DAMPERS

MAIN FEATURES

The SAV vibration dampers have been designed to avoid mechanical damage to the light curtains installed in those applications which have a high level of vibrations.

The unprotected light curtains might resent the vibrations produced by e.g. presses, weaving machines, etc.

In these cases, the use of SAV vibration dampers is highly recommended.

- SAV 4E-8E-12E dampers are to be used with EOS4/EOS2 and Micron light curtains
- SAV 1 and SAV 2 dampers are to be used with Janus light curtains
- SAV 3 and SAV 4 dampers are to be used with Admiral, Vision and Metron.



TECHNICAL FEATURES

Model	Ordering code	Description	for light curtains with protected height mm / beams	Light curtains model
SAV 1	1200084	set 4 vibrations dampers	310 ... 1060 / 2, 3, 4	Janus
SAV 2	1200085	set 6 vibrations dampers	1210 ... 1810	
SAV 3	1200088	set 2 vibrations dampers	160 ... 1060 / 2, 3, 4	Admiral - Vision - Metron
SAV 4	1200089	set 3 vibrations dampers	1210 ... 1810	
SAV 4E	1310972	set 4 vibrations dampers	160	EOS4 - EOS2 - Micron
SAV 8E	1310973	set 8 vibrations dampers	310 ... 1050	
SAV 12E	1310974	set 12 vibrations dampers	1210 ... 1810	

For EOS4, EOS2 and Micron 1 set must be ordered for each light curtain. For Janus, Admiral, Vision and Metron 2 sets must be ordered for each light curtain (1 set for the emitter + 1 for the receiver).

PROTECTIVE SCREEN FOR EOS

MAIN FEATURES

PSE is a polycarbonate protective screen that preserves the light curtain's front screen from damages due to welding sparks or due to the presence of acids in the workspace.

Once no more usable the protective screen can be quickly replaced thanks to its fast and easy stainless steel clamping system.

The protective screens are available for any protected heights of the EOS and Micron range.

Each kit includes:

- **SFS E** (ordering code **1310981**) - 1 set of stainless steel clamps for one safety light curtain (emitter and receiver)
- **PSEx** (ordering code from **1310982** to **1310995** according to the length of light curtain) - 4 protective screens (2 as spare parts).

For each pairs of safety light curtain (emitter and receiver) it's necessary order both codes.



Model	PSE 150	PSE 300	PSE 450	PSE 600	PSE 750	PSE 900	PSE 1050	PSE 1200	PSE 1350	PSE 1500	PSE 1650	PSE 1800
Ordering code	1310982	1310983	1310984	1310985	1310986	1310987	1310988	1310989	1310990	1310991	1310992	1310996

Model	PSE 2B	PSE 3B	PSE 4B
Ordering code	1310993	1310994	1310995

Model	SFS E
Ordering code	1310981

SFB – SFB 4J - SFBE – SFB E180 - BRACKETS

MAIN FEATURES

The SFB/SFBE/SFB180E swivel brackets allow the rotation of the light curtain around its longitudinal axis, as well as the adjustment of its vertical and horizontal position.

The use of the SFB/SFBE/SFB180E swivel brackets is recommended to align those light curtains which are employed in applications having a long range or using deflector mirrors.

SFB: are to be used with Admiral, Vision and Metron.

SFB 4J: are to be used with Janus.

SFB 4E - SFB 6E - SFB E180: are to be used with EOS4, EOS2 and Micron.



SFB 4E
SFB 6E

TECHNICAL FEATURES

Model	Ordering code	Description
SFB	1330974	set of 4 swivel brackets for: Admiral, Vision e Metron
SFB 4J	1360068	set of 4 swivel brackets for: Janus
SFB 4E	1310976	set of 4 swivel brackets for: EOS and Micron with length \leq 1200 mm
SFB 6E	1310977	set of 6 swivel brackets for: EOS and Micron with length \geq 1200 mm
SFB E180	1310980	set or 4 180° swivel brackets for EOS and Micron

One set must be ordered for each pair of light curtain (emitter + receiver)



SFB

SFB E180



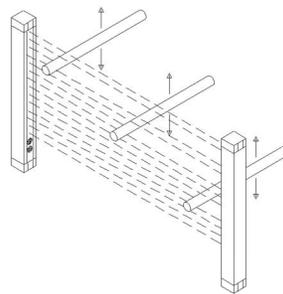
SFB 4J

TEST ROD

MAIN FEATURES

The test rod is an opaque cylinder used after the installation of a safety light curtain to check that no beams are bypassed due to the presence of reflecting surfaces.

The test is carried out by slowly moving the test rod (\emptyset = Resolution) in the centre and then along each side of the protected area. During this procedure the Green led on the Receiver must always remain in the off state.



TECHNICAL FEATURES

Model	Ordering code	Diameter
TR 14	1330960	\emptyset 14 mm
TR 20	1330961	\emptyset 20 mm
TR 30	1330962	\emptyset 30 mm
TR 40	1330963	\emptyset 40 mm
TR 50	1330964	\emptyset 50 mm



To see Reer's worldwide sales network click on Reer International on
www.reer.it

DISCLAIMER

The products described in this catalog can be modified by Reer SpA without prior notice.

The catalogue does not therefore constitute any obligation for the manufacturer at the moment of purchase regarding the availability and the characteristics of the products described in it.

The law and Standard requirements can vary in their turn. All the information concerning applications is given as a pure indication and Reer does not assume any responsibility in that sense: concerning your application, refer only to its detailed risk analysis; concerning the use of Reer products, refer to their user manual and contact the manufacturer directly in any case of doubt.

