

Micron



Micron

MAIN FEATURES

Light curtains for industrial and civil applications where it is necessary to detect, measure, and recognise objects.

Depending on the number and position of the beams engaged by an object, Micron can provide real time information to a PLC or PC in order to:

- Detect the presence or absence of objects
- Perform a count
- Detect a position
- Detect a shape or a profile
- Measure dimensions.

Models MI AV equipped with two analog outputs (0 ... 10 VDC) with programmable functions and two programmable digital outputs

Models MI AC equipped with two analog outputs (4 ... 20 mA) with programmable functions and two programmable digital outputs

Models MI B equipped with an RS-485 serial interface with programmable functions and two programmable digital outputs

Models MI C equipped with two antivalent solid state outputs.

MicronConfigurator software for PC, with graphic user interface, is supplied with each light curtain (models A and B only). Models A and B are provided with an M5 4-pole connector for parameter configuration and monitoring of the light curtain. It's a USB interface to be connected to a PC using the CSU M5 cable.

Beam spacing available from 5 mm to 75 mm.

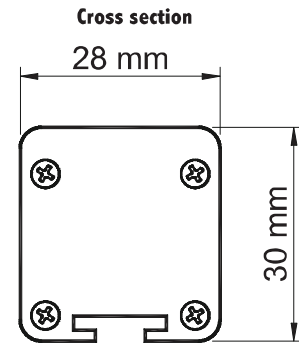
Controlled heights

- from 150 mm to 1800 mm - models with beams spacing 5 mm
- from 150 mm to 3000 mm - models with beams spacing 10, 25, 30, 50, 75 mm.

Max. range

- 2 m - models with beams spacing 5 mm
- 6 m - model for automatic warehouses with beams spacing 25, 50, 75 mm ([see page 202](#))
- 12 m - models with beams spacing 30 mm
- 18 m - models with beams spacing 10, 25, 50, 75 mm

Connections with M12 and M16 connectors. Up to 100 m of electrical connections with unshielded cables. Possibility of connection of up to 8 Micron B light curtains as nodes of an RS-485 serial line for simultaneous detection of multiple dimensions and complex measurements.



1:1 scale

THE MICRON RANGE

MICRON A

Two analog outputs (0 ... 10 VDC) model AV or (4 ... 20 mA) model AC with programmable functions + Two programmable digital outputs 0 or 24V.

Solution providing simple measurement with easy interfacing.

Ideal for object measurement and detection of dimensional limits.

Can be provided in WT and WTH version but must be factory programmed.

MICRON B

RS-485 serial line with programmable functions + two programmable digital outputs 0 or 24V.

Solution providing complete and detailed information on the status of each beam via the RS 485 serial line and, by means of the two solid state outputs, further on/off information related to the occurrence of the programmed conditions.

Ideal for dimensional measurement, detection of object profile and position.

Can be provided in WT and WTH version but must be factory programmed.

MICRON C

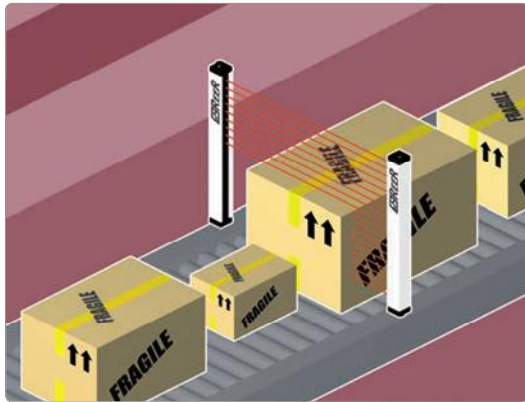
Two digital antivalent outputs 0 or 24V without the need for programming.

Solution providing simple on/off information related to the status of the controlled area.

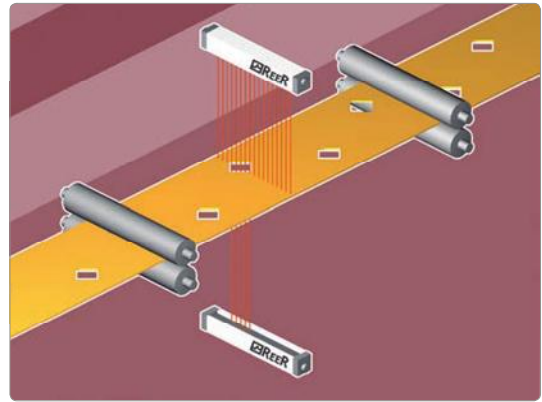
Ideal for piece counting and detection of object presence/absence in the controlled field.

Can be provided in WT and WTH version.

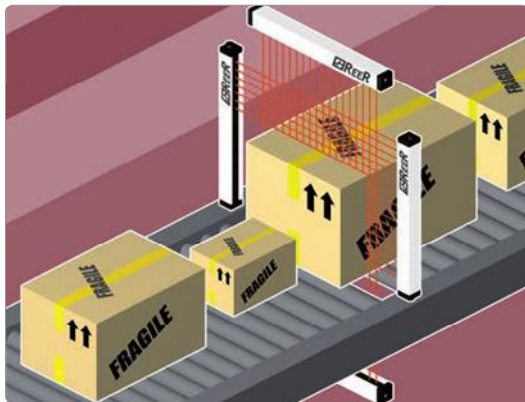
APPLICATION EXAMPLES



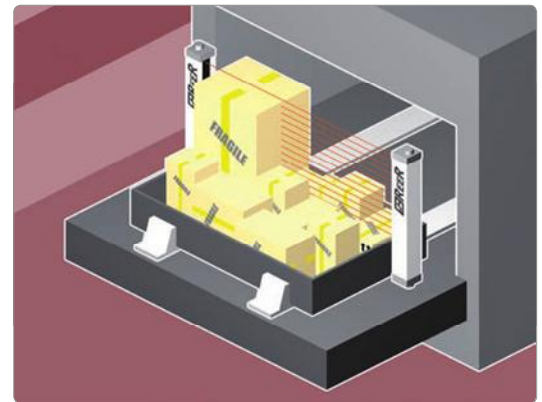
Measurement of the height of objects in transit on conveyor systems



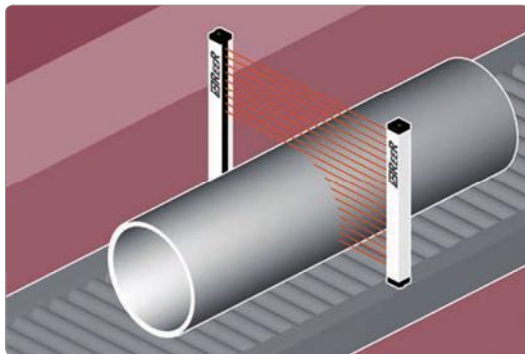
Quality control: verification of presence / absence / position of holes



Two-dimensional detection of objects in transit on conveyor systems with use of 2 light curtains. If necessary, the calculation of the volume can be made by means of a third horizontal light curtain, or considering the transit speed



Automatic warehouses: detection of maximum height of the objects present in the boxes for efficient management of the machine's capacity



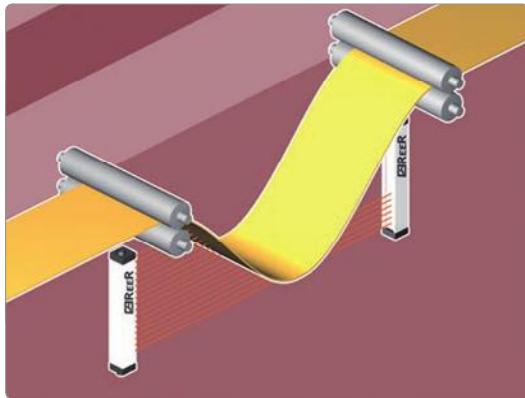
Measurement and identification of cylinders of various sizes



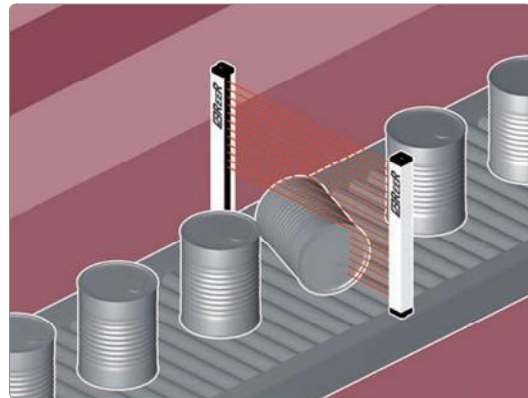
Detection of position and profile of pieces in automatic painting systems

Micron

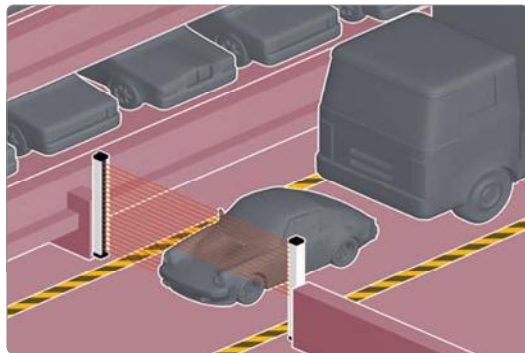
APPLICATION EXAMPLES



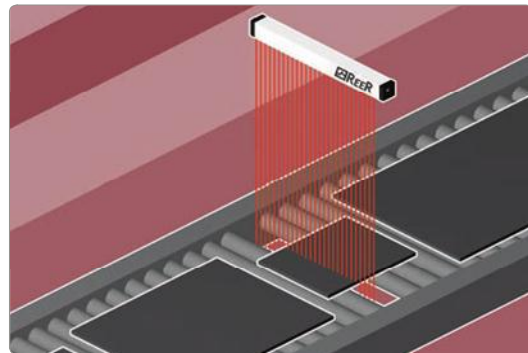
Loop control



Quality control: verification of correct positioning of objects

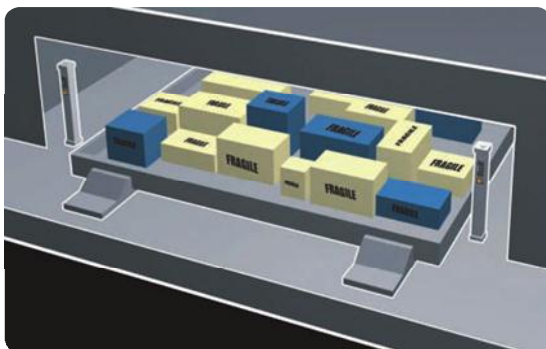


Detection of overall dimensional limits of vehicles for vehicle handling in automatic parking garages



Measurement of the width and position of panels or sheets of material in transit on roller units or conveyor belts

Special models



Automatic warehouses: detection of maximum height of the objects present in the boxes for efficient management of the machine's capacity

Special models with beams spacing: 25, 50, 75 mm

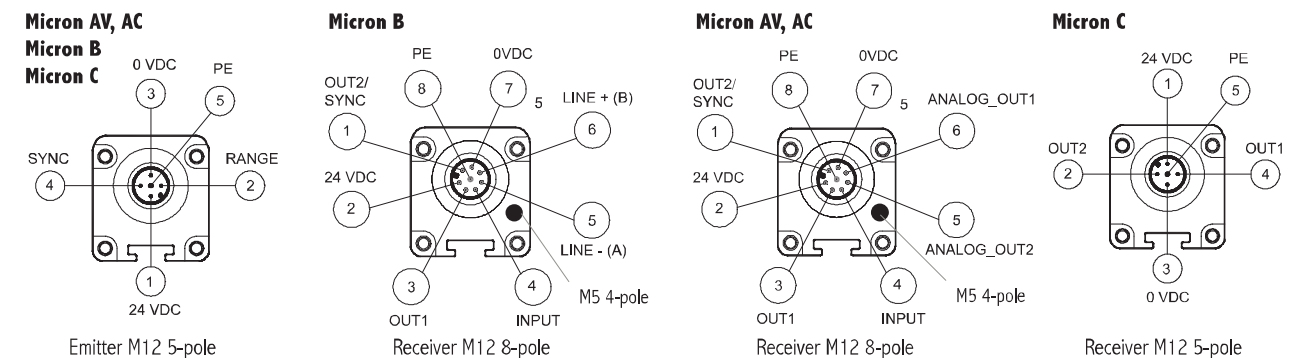
The special optics of these light curtains allow detection of small objects in quick motion.

Please contact Reer for availability and models.

TECHNICAL FEATURES

Controlled heights (mm)		150 ... 1800 – models with beams spacing 5 mm 150 ... 3000 mm - models with beams spacing 10, 25, 30, 50, 75 mm.
Beam spacing (mm)		5, 10, 25, 30, 50, 75
Max. range (m)		2 - models with beam spacing 5 mm 6 - models model for automatic warehouses with beams spacing 25, 50, 75 mm 12 - models with beam spacing 30 mm 18 - models with beam spacing 10, 25, 50, 75 mm
Measurement time		(500 μ s + 70 μ s x n beams) x N Where N = scan cycles (1,2,3 selectable)
Scan cycles		1, 2, 3 selectable
Inputs (on receiver) (Micron A and B only)		1 - digital with programmable functions - 0 or 24V
Outputs	Micron MI AV Micron MI AC	2 analog outputs (0-10 VDC) with programmable functions + 2 programmable digital outputs 0 or 24V 2 analog outputs (4-20 mA) with programmable functions + 2 programmable digital outputs 0 or 24V
	Micron MI B	RS-485 Serial line (up to 8 nodes) 2 - solid state 0 or 24V programmable - PNP 100 mA at 24 VDC
	Micron MI C	2 - solid state 0 or 24V antivalent - PNP 100 mA at 24 VDC
Micron A and B programming		via "MicronConfigurator" configuration software
Micron A and B programming interface		USB interface on M5 connector
Synchronisation between emitter and receiver		Optical or via cable, selectable
Electrical connections	Micron A and B	connector M12 5-pole (emitter) connector M12 8-pole (receiver) M5 4-pole connector for programming interface
	Micron C	2 M12 5-pole connectors (emitter and receiver)
Signalling		LEDs for operating status and light curtain self-diagnosis
Power supply (VDC)		24 \pm 20%
Max. length connection cables between light curtain and interface (m)		100
Operating temperature (°C)		-10 ... + 55
Protection rating		IP 65 and IP 67
Fastening mode		back slot, or to the top and lower end with SFB E180 rotating brackets (optional)
Cross-section dimensions (mm)		28 x 30

Connectors



Micron

Models Max. range: 2 m

Spring 2015

Beam spacing 5 mm	MI 150AV	MI 300AV	MI 450AV	MI 600AV	MI 750AV	MI 900AV	MI 1050AV	MI 1200AV	MI 1350AV	MI 1500AV	MI 1650AV	MI 1800AV
Ordering codes	1250500	1250501	1250502	1250503	1250504	1250505	1250506	1250507	1250508	1250509	1250510	1250511
Beam spacing 5 mm	MI 150AC	MI 300AC	MI 450AC	MI 600AC	MI 750AC	MI 900AC	MI 1050AC	MI 1200AC	MI 1350AC	MI 1500AC	MI 1650AC	MI 1800AC
Ordering codes	1250520	1250521	1250522	1250523	1250524	1250525	1250526	1250527	1250528	1250529	1250530	1250531
Beam spacing 5 mm	MI 150B	MI 300B	MI 450B	MI 600B	MI 750B	MI 900B	MI 1050B	MI 1200B	MI 1350B	MI 1500B	MI 1650B	MI 1800B
Ordering codes	1250540	1250541	1250542	1250543	1250544	1250545	1250546	1250547	1250548	1250549	1250550	1250551
Beam spacing 5 mm	MI 150C	MI 300C	MI 450B	MI 600B	MI 750B	MI 900B	MI 1050B	MI 1200B	MI 1350C	MI 1500C	MI 1650C	MI 1800C
Ordering codes	1250560	1250561	1250562	1250563	1250564	1250565	1250566	1250567	1250568	1250569	1250570	1250571
Controlled height (mm)	145	295	445	595	745	895	1045	1195	1345	1495	1645	1795
Number of beams	30	60	90	120	150	180	210	240	270	300	330	360
Overall height (mm)	213	363	513	663	813	963	1113	1263	1413	1563	1713	1863

Models Max. range: 18 m

Summer 2014

Beam spacing 10 mm	MI 151AV	MI 301AV	MI 451AV	MI 601AV	MI 751AV	MI 901AV	MI 1051AV	MI 1201AV	MI 1351AV	MI 1501AV	MI 1651AV	MI 1801AV
Ordering codes	1250020	1250021	1250022	1250023	1250024	1250025	1250026	1250027	1250028	1250029	1250030	1250031
Beam spacing 10 mm	MI 151AC	MI 301AC	MI 451AC	MI 601AC	MI 751AC	MI 901AC	MI 1051AC	MI 1201AC	MI 1351AC	MI 1501AC	MI 1651AC	MI 1801AC
Ordering codes	1250120	1250121	1250122	1250123	1250124	1250125	1250126	1250127	1250128	1250129	1250130	1250131
Beam spacing 10 mm	MI 151B	MI 301B	MI 451B	MI 601B	MI 751B	MI 901B	MI 1051B	MI 1201B	MI 1351B	MI 1501B	MI 1651B	MI 1801B
Ordering codes	1250220	1250221	1250222	1250223	1250224	1250225	1250226	1250227	1250228	1250229	1250230	1250231
Beam spacing 10 mm	MI 151C	MI 301C	MI 451C	MI 601C	MI 751C	MI 901C	MI 1051C	MI 1201C	MI 1351C	MI 1501C	MI 1651C	MI 1801C
Ordering codes	1250320	1250321	1250322	1250323	1250324	1250325	1250326	1250327	1250328	1250329	1250330	1250331
Controlled height (mm)	140	290	440	590	740	890	1040	1190	1340	1490	1640	1790
Number of beams	15	30	45	60	75	90	105	120	135	150	165	180
Overall height (mm)	213	363	513	763	813	963	1113	1263	1413	1563	1713	1863

Beam spacing 10 mm	MI 1951AV	MI 2101AV	MI 2251AV	MI 2401AV	MI 2551AV	MI 2701AV	MI 2851AV	MI 3001AV
Ordering codes	1250032	1250033	1250034	1250035	1250036	1250037	1250038	1250039
Beam spacing 10 mm	MI 1951AC	MI 2101AC	MI 2251AC	MI 2401AC	MI 2551AC	MI 2701AC	MI 2851AC	MI 3001AC
Ordering codes	1250132	1250133	1250134	1250135	1250136	1250137	1250138	1250139
Beam spacing 10 mm	MI 1951B	MI 2101B	MI 2251B	MI 2401B	MI 2551B	MI 2701B	MI 2851B	MI 3001B
Ordering codes	1250232	1250233	1250234	1250235	1250236	1250237	1250238	1250239
Beam spacing 10 mm	ME 1951C	ME 2101C	ME 2251C	ME 2401C	MI 2551C	MI 2701C	MI 2851C	MI 3001C
Ordering codes	1250332	1250333	1250334	1250335	1250336	1250337	1250338	1250339
Controlled height (mm)	1940	2090	2240	2390	2540	2690	2840	2990
Number of beams	195	210	225	240	255	270	285	300
Overall height (mm)	2013	2163	2313	2463	2613	2763	2913	3063



Models Max. range: 18 m

Available

Beam spacing 25 mm	MI 152AV	MI 302AV	MI 452AV	MI 602AV	MI 752AV	MI 902AV	MI 1052AV	MI 1202AV	MI 1352AV	MI 1502AV	MI 1652AV	MI 1802AV
Ordering codes	1250040	1250041	1250042	1250043	1250044	1250045	1250046	1250047	1250048	1250049	1250050	1250051
Beam spacing 25 mm	MI 152AC	MI 302AC	MI 452AC	MI 602AC	MI 752AC	MI 902AC	MI 1052AC	MI 1202AC	MI 1352AC	MI 1502AC	MI 1652AC	MI 1802AC
Ordering codes	1250140	1250141	1250142	1250143	1250144	1250145	1250146	1250147	1250148	1250149	1250150	1250151
Beam spacing 25 mm	MI 152B	MI 302B	MI 452B	MI 602B	MI 752B	MI 902B	MI 1052B	MI 1202B	MI 1352B	MI 1502B	MI 1652B	MI 1802B
Ordering codes	1250240	1250241	1250242	1250243	1250244	1250245	1250246	1250247	1250248	1250249	1250250	1250251
Beam spacing 25 mm	MI 152C	MI 302C	MI 452C	MI 602C	MI 752C	MI 902C	MI 1052C	MI 1202C	MI 1352C	MI 1502C	MI 1652C	MI 1802C
Ordering codes	1250340	1250341	1250342	1250343	1250344	1250345	1250346	1250347	1250348	1250349	1250350	1250351
Controlled height (mm)	125	275	425	575	725	875	1025	1175	1325	1475	1625	1775
Number of beams	6	12	18	24	30	36	42	48	54	60	66	72
Overall height (mm)	213	363	513	663	813	963	1113	1263	1413	1563	1713	1863

Beam spacing 25 mm	MI 1952AV	MI 2102AV	MI 2252AV	MI 2402AV	MI 2552AV	MI 2702AV	MI 2852AV	MI 3002AV
Ordering codes	1250052	1250053	1250054	12500455	1250056	1250057	1250058	1250059
Beam spacing 25 mm	MI 1952AC	MI 2102AC	MI 2252AC	MI 2402AC	MI 2552AC	MI 2702AC	MI 2852AC	MI 3002AC
Ordering codes	1250152	1250153	1250154	1250155	1250156	1250157	1250158	1250159
Beam spacing 25 mm	MI 1952B	MI 2102B	MI 2252B	MI 2402B	MI 2552B	MI 2702B	MI 2852B	MI 3002B
Ordering codes	1250252	1250253	1250254	1250255	1250256	1250257	1250258	1250259
Beam spacing 25 mm	MI 1952C	MI 2102C	MI 2252C	MI 2402C	MI 2552C	MI 2702C	MI 2852C	MI 3002C
Ordering codes	1250352	1250353	1250354	1250355	1250356	1250357	1250358	1250359
Controlled height (mm)	1925	2075	2225	2375	2525	2625	2825	2975
Number of beams	78	84	90	96	102	108	114	120
Overall height (mm)	2013	2163	2313	2463	2613	2763	2913	3063

Models Max. range: 12 m

Summer 2014

Beam spacing 30 mm	MI 153AV	MI 303AV	MI 453AV	MI 603AV	MI 753AV	MI 903AV	MI 1053AV	MI 1203AV	MI 1353AV	MI 1503AV	MI 1653AV	MI 1803AV
Ordering codes	1250060	1250061	1250062	1250063	1250064	1250065	1250066	1250067	1250068	1250069	1250070	1250071
Beam spacing 30 mm	MI 153AC	MI 303AC	MI 453AC	MI 603AC	MI 753AC	MI 903AC	MI 1053AC	MI 1203AC	MI 1353AC	MI 1503AC	MI 1653AC	MI 1803AC
Ordering codes	1250160	1250161	1250162	1250163	1250164	1250165	1250166	1250167	1250168	1250169	1250170	1250171
Beam spacing 30 mm	MI 153B	MI 303B	MI 453B	MI 603B	MI 753B	MI 903B	MI 1053B	MI 1203B	MI 1353B	MI 1503B	MI 1653B	MI 1803B
Ordering codes	1250260	1250261	1250262	1250263	1250264	1250265	1250266	1250267	1250268	1250269	1250270	1250271
Beam spacing 30 mm	MI 153C	MI 303C	MI 453C	MI 603C	MI 753C	MI 903C	MI 1053C	MI 1203C	MI 1353C	MI 1503C	MI 1653C	MI 1803C
Ordering codes	1250360	1250361	1250362	1250363	1250364	1250365	1250366	1250367	1250368	1250369	1250370	1250371
Controlled height (mm)	120	270	420	570	720	870	1020	1170	1320	1470	1620	1770
Number of beams	5	10	15	20	25	30	35	40	45	50	55	60
Overall height (mm)	213	363	513	663	813	963	1113	1263	1413	1563	1713	1863

Beam spacing 30 mm	MI 1953AV	MI 2103AV	MI 2253AV	MI 2403AV	MI 2553AV	MI 2703AV	MI 2853AV	MI 3003AV
Ordering codes	1250072	1250073	1250074	1250075	1250076	1250077	1250078	1250079
Beam spacing 30mm	MI 1953AC	MI 2103AC	MI 2253AC	MI 2403AC	MI 2553AC	MI 2703AC	MI 2853AC	MI 3003AC
Ordering codes	1250172	1250173	1250174	1250175	1250176	1250177	1250178	1250179
Beam spacing 30 mm	MI 1953B	MI 2103B	MI 2253B	MI 2403B	MI 2553B	MI 2703B	MI 2853B	MI 3003B
Ordering codes	1250272	1250273	1250274	1250275	1250276	1250277	1250278	1250279
Beam spacing 30 mm	MI 1953C	MI 2103C	MI 2253C	MI 2403C	MI 2553C	MI 2703C	MI 2853C	MI 3003C
Ordering codes	1250372	1250373	1250374	1250375	1250376	1250377	1250378	1250379
Controlled height (mm)	1920	2070	2220	2370	2520	2620	2820	2970
Number of beams	65	70	75	80	85	90	95	100
Overall height (mm)	2013	2163	2313	2463	2613	2763	2913	3063

Models Max. range: 18 m

Available

Beam spacing 50 mm	MI 155AV	MI 305AV	MI 455AV	MI 605AV	MI 755AV	MI 905AV	MI 1055AV	MI 1205AV	MI 1355AV	MI 1505AV	MI 1655AV	MI 1805AV
Ordering codes	1250080	1250081	1250082	1250083	1250084	1250085	1250086	1250087	1250088	1250089	1250090	1250091
Beam spacing 50 mm	MI 155AC	MI 305AC	MI 455AC	MI 605AC	MI 755AC	MI 905AC	MI 1055AC	MI 1205AC	MI 1355AC	MI 1505AC	MI 1655AC	MI 1805AC
Ordering codes	1250180	1250181	1250182	1250183	1250184	1250185	1250186	1250187	1250188	1250189	1250190	1250191
Beam spacing 50 mm	MI 155B	MI 305B	MI 455B	MI 605B	MI 755B	MI 905B	MI 1055B	MI 1205B	MI 1355B	MI 1505B	MI 1655B	MI 1805B
Ordering codes	1250280	1250281	1250282	1250283	1250284	1250285	1250286	1250287	1250288	1250289	1250290	1250291
Beam spacing 50 mm	MI 155C	MI 305C	MI 455C	MI 605C	MI 755C	MI 905C	MI 1055C	MI 1205C	MI 1355C	MI 1505C	MI 1655C	MI 1805C
Ordering codes	1250380	1250381	1250382	1250383	1250384	1250385	1250386	1250387	1250388	1250389	1250390	1250391
Controlled height (mm)	100	250	400	550	700	850	1000	1150	1300	1450	1600	1750
Number of beams	3	6	9	12	15	18	21	24	27	30	33	36
Overall height (mm)	213	363	513	663	813	963	1113	1263	1413	1563	1713	1863

Beam spacing 50 mm	MI 1955AV	MI 2105AV	MI 2255AV	MI 2405AV	MI 2555AV	MI 2705AV	MI 2855AV	MI 3005AV
Ordering codes	1250092	1250093	1250094	1250095	1250096	1250097	1250098	1250099
Beam spacing 50mm	MI 1955AC	MI 2105AC	MI 2255AC	MI 2405AC	MI 2555AC	MI 2705AC	MI 2855AC	MI 3005AC
Ordering codes	1250192	1250193	1250194	1250195	1250196	1250197	1250198	1250199
Beam spacing 50 mm	MI 1955B	MI 2105B	MI 2255B	MI 2405B	MI 2555B	MI 2705B	MI 2855B	MI 3005B
Ordering codes	1250292	1250293	1250294	1250295	125029	1250297	1250298	1250299
Beam spacing 50 mm	MI 1955C	MI 2105C	MI 2255C	MI 2405C	MI 2555C	MI 2705C	MI 2855C	MI 3005C
Ordering codes	1250392	1250393	1250394	1250395	1250396	1250397	1250398	1250399
Controlled height (mm)	1900	2050	2200	2350	2500	2650	2800	2950
Number of beams	39	42	45	48	51	54	57	60
Overall height (mm)	2013	2163	2313	2463	2613	2763	2913	3063

Models Max. range: 18 m

Available

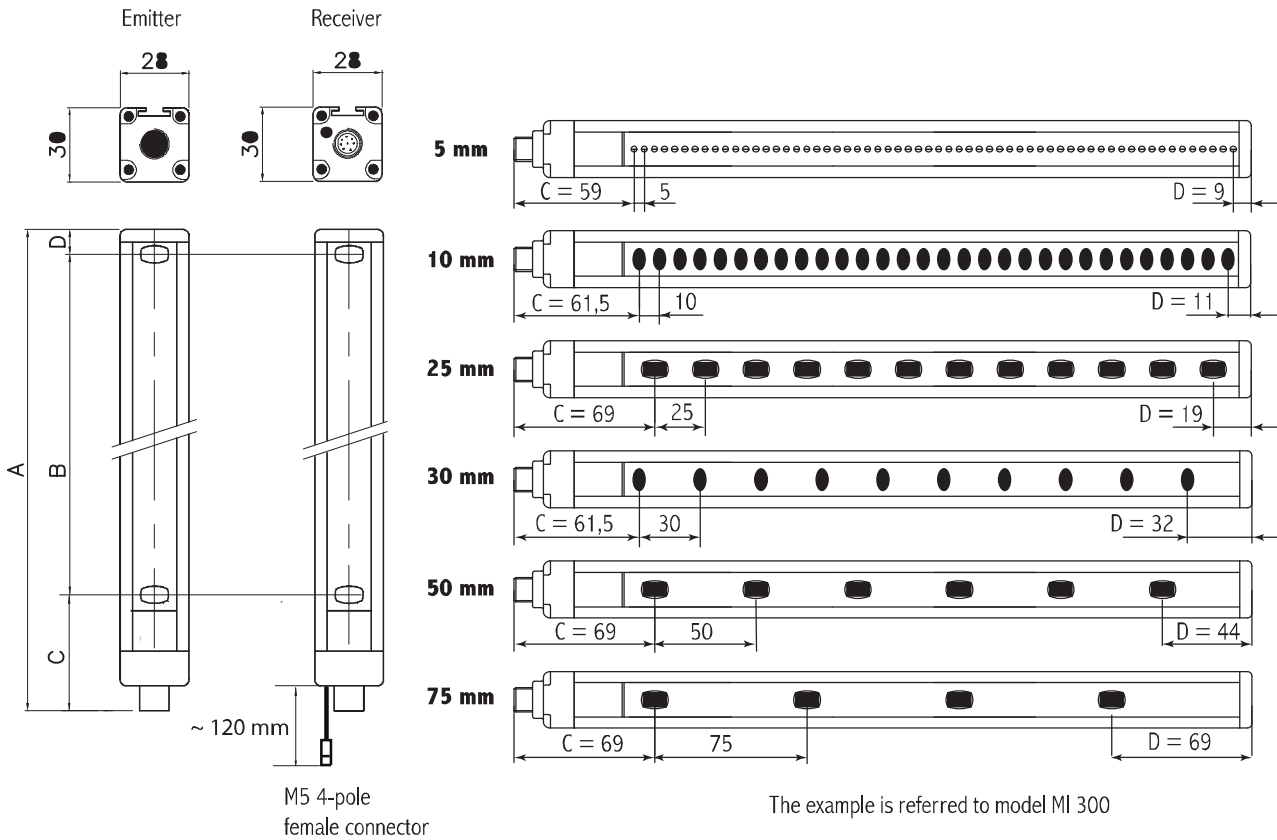
Beam spacing 75 mm	MI 157AV	MI 307AV	MI 457AV	MI 607AV	MI 757AV	MI 907AV	MI 1057AV	MI 1207AV	MI 1357AV	MI 1507AV	MI 1657AV	MI 1807AV
Ordering codes	1250100	1250101	1250102	1250103	1250104	1250105	1250106	1250107	1250108	1250109	1250110	1250111
Beam spacing 75 mm	MI 157AC	MI 307AC	MI 457AC	MI 607AC	MI 757AC	MI 907AC	MI 1057AC	MI 1207AC	MI 1357AC	MI 1507AC	MI 1657AC	MI 1807AC
Ordering codes	1250200	1250201	1250202	1250203	1250204	1250205	1250206	1250207	1250208	1250209	1250210	1250211
Beam spacing 75 mm	MI 157B	MI 307B	MI 457B	MI 607B	MI 757B	MI 907B	MI 1057B	MI 1207B	MI 1357B	MI 1507B	MI 1657B	MI 1807B
Ordering codes	1250300	1250301	1250302	1250303	1250304	1250305	1250306	1250307	1250308	1250309	1250310	1250311
Beam spacing 75 mm	MI 157C	MI 307C	MI 457C	MI 607C	MI 757C	MI 907C	MI 1057C	MI 1207C	MI 1357C	MI 1507C	MI 1657C	MI 1807C
Ordering codes	1250400	1250401	1250402	1250403	1250404	1250405	1250406	1250407	1250408	1250409	1250410	1250411
Controlled height (mm)	75	225	375	525	675	825	975	1125	1275	1425	1575	1725
Number of beams	2	4	6	8	10	12	14	16	18	20	22	24
Overall height (mm)	213	363	513	663	813	963	1113	1263	1413	1563	1713	1863
Beam spacing 75 mm	MI 1957AV	MI 2107AV	MI 2257AV	MI 2407AV	MI 2557AV	MI 2707AV	MI 2857AV	MI 3007AV				
Ordering codes	1250112	1250113	1250114	1250115	1250116	1250117	1250118	1250119				
Beam spacing 75mm	MI 1957AC	MI 2107AC	MI 2257AC	MI 2407AC	MI 2557AC	MI 2707AC	MI 2857AC	MI 3007AC				
Ordering codes	1250212	1250213	1250214	1250215	1250216	1250217	1250218	1250219				
Beam spacing 75 mm	MI 1957B	MI 2107B	MI 2257B	MI 2407B	MI 2557B	MI 2707B	MI 2857B	MI 3007B				
Ordering codes	1250312	1250313	1250314	1250315	1250316	1250317	1250318	1250319				
Beam spacing 75 mm	MI 1957C	MI 2107C	MI 2257C	MI 2407C	MI 2557C	MI 2707C	MI 2857C	MI 3007C				
Ordering codes	1250412	1250413	1250414	1250415	1250416	1250417	1250418	1250419				
Controlled height (mm)	1875	2025	2175	2325	2475	2625	2775	2925				
Number of beams	26	28	30	32	34	36	38	40				
Overall height (mm)	2013	2163	2313	2463	2613	2763	2913	3063				

► "ACCESSORIES" on page 209

ORDERING INFORMATION

In addition to the height and beam spacing, to uniquely define a Micron light curtain the model must also be indicated AV, AC, B or C:	
Model AV (0 ... 10 Vcc) Model AC (4 ... 20 mA)	2 analog outputs (0-10 VDC) with programmable functions + 2 programmable digital outputs 0 or 24V 2 analog outputs (4-20 mA) with programmable functions + 2 programmable digital outputs 0 or 24V.
Model B	RS-485 Serial line (up to 8 nodes) + 2 - solid state 0 or 24V programmable
Model C	2 - solid state 0/24V antivalent. Without the need for programming.
Each type of Micron light curtain includes:	<ul style="list-style-type: none"> • Emitter and Receiver pair • Mounting brackets and T-nuts • CD-ROM containing the "MicronConfigurator" programming software and the multi-language instruction manual
USB cable (CSU M5)	To connect light curtains and PC for system configuration. Models A and B only . This cable must be ordered separately. See accessories table.

DIMENSIONS (mm)



Model MI	150	300	450	600	750	900	1050	1200	1350
A	213	363	513	663	813	963	1113	1263	1413
B (measuring height)	B = (number of beams -1) x beam spacing								
C (1st beam position)	59 (for 5 mm model) - 61,5 (for 10 and 30 mm models) - 69 (for 25, 50 and 75 mm models)								
Mounting	Complete set of 4 LE type brackets included in the package						Complete set of 6 LE type brackets included in the package		

Model MI	1500	1650	1800	1950	2100	2250	2400	2550	2700	2850	3000
A	1563	1713	1863	2013	2163	2313	2463	2613	2763	2913	3063
B (controlled height)	B = (number of beams -1) x beam spacing										
C (1st beam position)	59 (for 5 mm model) - 61,5 (for 10 and 30 mm models) - 69 (for 25, 50 and 75 mm models)										
Mounting	Complete set of 6 LE type brackets included in the package										



WARNING

When the light curtain works in the presence of strong vibrations (presses, weaving machines etc.), in order to avoid damages to the light curtain it is necessary to use the vibration dampers SAV (available as accessories)

ACCESSORIES

For Micron light curtains the following accessories, to be ordered separately, are available:

FMC floor mounting columns	▶ See page 220
SP deflection mirrors	▶ See page. 223
LAD laser alignment device	▶ See page 224
SAV vibrations dampers	▶ See page 225
SFB swivel fixing brackets	▶ See page 226
Connectors	▶ See list hereunder:

CONNECTORS Micron C emitter and receiver / Micron A and B only emitter

Model	Code	Description
CD 5	1330950	M12 straight connector, 5 poles, pre-wired cable 5 m
CD 10	1330956	M12 straight connector, 5 poles, pre-wired cable 10 m
CD 15	1330952	M12 straight connector, 5 poles, pre-wired cable 15 m
CD 20	1330957	M12 straight connector, 5 poles, pre-wired cable 20 m
CD 25	1330949	M12 straight connector, 5 poles, pre-wired cable 25 m
CD 50	1330965	M12 straight connector, 5 poles, pre-wired cable 50 m
CD 95	1330951	M12 90° angle connector, 5 poles, pre-wired cable 5 m
CD 910	1330958	M12 90° angle connector, 5 poles, pre-wired cable 10 m
CD 915	1330953	M12 90° angle connector, 5 poles, pre-wired cable 15 m
CDM 9	1330954	M12 straight connector, 5 poles with screw terminal, PG9 cable gland
CDM 99	1330955	M12 90° angle connector, 5 poles with screw terminal, PG9 cable gland

CONNETTORI MICRON A and B receiver

Model	Code	Description
CSU M5	1250900	2 meters cable for connecting light curtain and PC for system configuration, equipped with M5 4-pole connector and one USB A connector
C8D 5	1330980	M12 straight connector, 8 poles, pre-wired cable 5 m
C8D 10	1330981	M12 straight connector, 8 poles, pre-wired cable 10 m
C8D 15	1330982	M12 straight connector, 8 poles, pre-wired cable 15 m
C8D 25	1330967	M12 straight connector, 8 poles, pre-wired cable 25 m
C8D 40	1440966	M12 straight connector, 8 poles, pre-wired cable 40 m
C8D 95	1330983	M12 90° angle connector, 8 poles, pre-wired cable 5 m
C8D 910	1330984	M12 90° angle connector, 8 poles, pre-wired cable 10 m
C8D 915	1330985	M12 90° angle connector, 8 poles, pre-wired cable 15 m
C8DM 9	1330986	M12 straight connector, 8 poles with screw terminal, PG9 cable gland
C8DM 99	1330987	M12 90° angle connector, 8 poles with screw terminal, PG9 cable gland
C8DM 11	1330978	M12 straight connector, 8 poles with screw terminal, PG9/11 cable gland
C8DM 911	1330979	M12 90° angle connector, 8 poles with screw terminal, PG9/11 cable gland

CHARACTERISTICS OF "MicronConfigurator" CONFIGURATOR SOFTWARE

Possibility for on-line display on PC screen during operation	Status of each individual beam and solid state outputs
Configurable parameters	Operating logic (conditions for output activation), parameters of the RS-485 serial line (transmission method, baud rate, parity, start-stop characters, binary, hex, ascii format, measurement time, etc.)

